

**Ice Cream Freezer****Economical Size and Design****\* Low Emissivity Glass**

No condensation on the glass-energy consumption limited.  
Enhances energy efficiently and reduces outer heat gain.

**\* Economical and Convenient**

Environmentally friendly in the most resourceful way.  
Specifically designed for frozen foods, in addition to an eye-catching display.  
Convenient to access in demanding traffic.

**\* Holds -9°F ~ 11°F (TGF-9F)****\* Holds -9°F ~ 11°F (TGF-13F)**

Oversized compressor and environmentally friendly refrigeration.  
Can optimize the ideal temperature (10°F) for ice cream and frozen foods.

**\* Foamed-in-place Polyurethane High Density Cell Insulation****\* Self-contained System**

No plumbing required.

**\* 4" Casters Standard**

TGF-9F



TGF-13F



ISO9001

Distributed By:

Commercial Refrigeration Service, Inc.

WWW.IceCubes.NET

623-869-8881 or toll free 866-IceMakers

REFRIGERATOR MANUFACTURER  
**Turbo air**

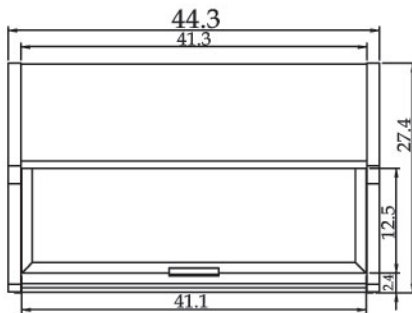
## CABINET INTERIOR/EXTERIOR SPECIFICATIONS

MODEL	TGF-9F	TGF-13F
Exterior Dimensions	44.3x27.4x39.4	61.1x27.4x39.4
Power	115V/60Hz	115V/60Hz
Amp	4.4 A	6 A
Comp.	1/4HP	1/3HP
Slide Doors	1EA	2EA
Weight	185lbs	253lbs
Cubic Feet	8.5	13.3
Cord Length	9.85 feet	9.85feet
Plug-in	NEMA 5-15P	NEMA 5-15P

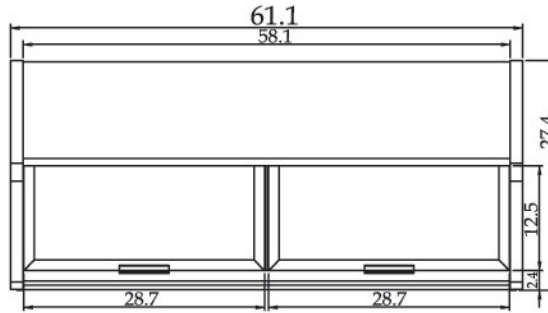
**\* Foamed With Polyurethane High  
-density Cell Insulation (CFC Free)**

\*Design and specifications can be changed without prior notice for product improvement.

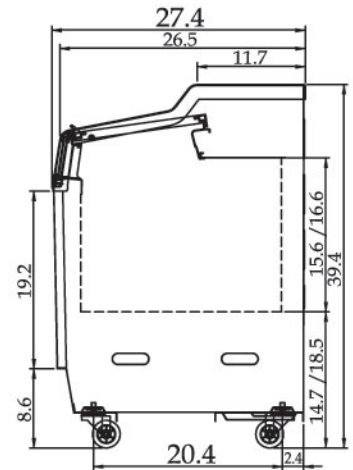
(unit : inch)



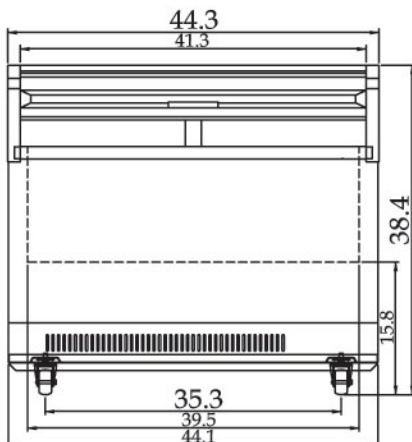
**TGF-9F PLAN VIEW**



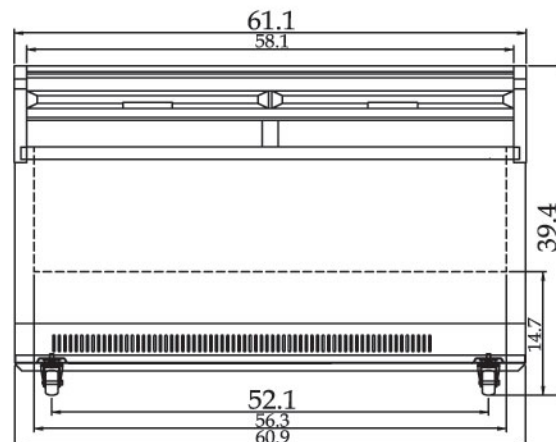
**TGF-13F PLAN VIEW**



**SIDE VIEW**



**TGF-9F FRONT VIEW**



**TGF-13F FRONT VIEW**