

Beer Dispenser

REFRIGERATOR MANUFACTURER
Turbo air

Beer Dispenser

All Interior and Exterior Stainless Steel Construction

* Excellent Cooling System

The powerful forced-air refrigeration system maintains storage cabinet at constant temperature.

* 3" Diameter Stainless Steel Insulated Beer Columns

* Stainless Steel Interior

* Door Locks Standard

* CFC Free

Foamed-in-place, high density, close cell, polyurethane that is CFC free.

* CEC. California Energy Commission Certificated

* MEA. City of New York Building Department Approved



* Does not accept casters

* Does not include keg couplers

Distributed By:
Commercial Refrigeration Service, Inc.
WWW.IceCubes.NET
623-869-8881 or toll free 866-IceMakers

CABINET INTERIOR/EXTERIOR SPECIFICATIONS

MODEL	TBD-2SD/2SB	TBD-3SD/3SB
Exterior Dimensions(LxDxH)	58.8"x27.1"x37"(49.2")	69.1"x27.1"x37"(49.2")
Comp.	1/3 HP	1/3 HP
Weight	276lbs	298lbs
Power	115V / 60Hz	115V / 60Hz
Amp.	7.0 A	7.0 A
Cord Length	9.85 Feet	9.85 Feet
Plug-In	NEMA 5-15P	NEMA 5-15P

*Design and specifications can be changed without prior notice for product improvement.

*** Recessed Handles**

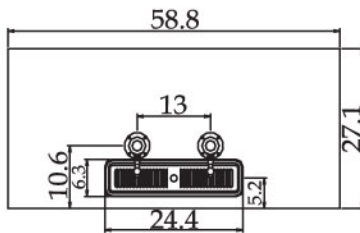
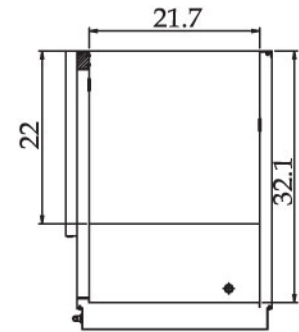
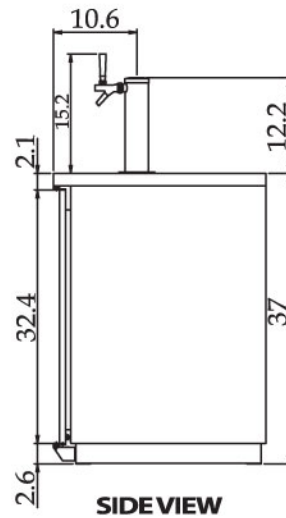
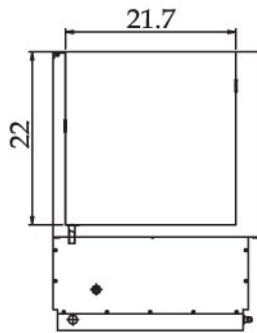
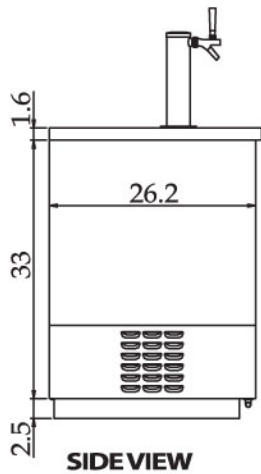
*** Simple Plug-in Installation**

*** Incandescent Interior Lighting**

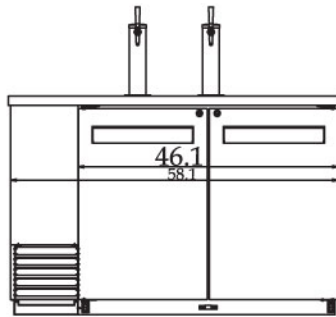
*** Holds 33°F~38°F**

*** 18 Month Labor and Parts Warranty for Super Deluxe Series (SD Only)**

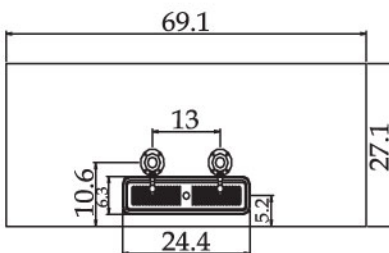
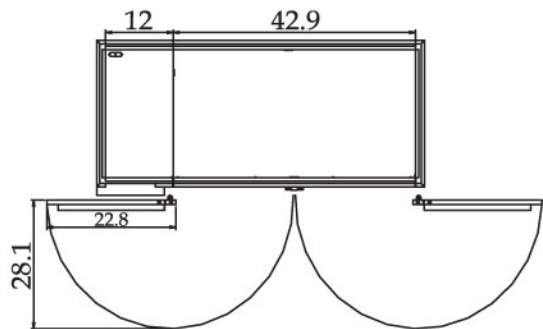
(unit : inch)



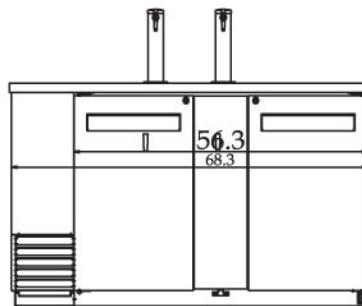
TBD-2SD/2SDB PLAN VIEW



TBD-2SD/2SDB FRONT VIEW



TBD-3SD/3SDB PLAN VIEW



TBD-3SD/3SDB FRONT VIEW

