

Turbo air Stock Pot Burners

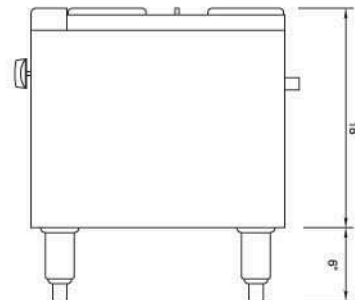
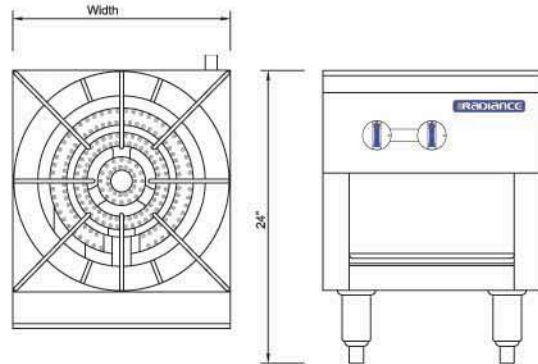
High Efficiency Stock Pot Burners


TASP-18


Distributed By:
Commercial Refrigeration Service, Inc.
<http://WWW.IceCubes.NET>
623-869-8881 or toll free 866-IceMakers

FEATURES / BENEFITS

- HEAVY DUTY CAST IRON 3-RING 79,000 BTU BURNER
- HIGH QUALITY STAINLESS STEEL CONSTRUCTION WITH STORAGE AREA BELOW
- DUAL CONTROL VALVES-ONE FOR INNER AND MIDDLE RINGS, SECOND FOR THE OUTER RING
- FULL WIDTH REMOVABLE CRUMB TRAY SLIDES OUT FOR EASY CLEANING
- TWO KNOBS FOR ULTIMATE COOKING CONTROL
- 6" STAINLESS STEEL LEGS WITH 3" ADJUSTABLE BULLET FEET
- STAINLESS STEEL PILOTS FOR INSTANT IGNITION
- BULL-NOSE STAINLESS STEEL FRONT EXTENSION PROVIDES ADDITIONAL SAFETY TO EMPLOYEES FROM BURNS
- COATED INSIDE & OUTSIDE GAS MANIFOLD PREVENTS RUST AND ENSURES LONGER LIFE OF UNIT
- ERGONOMICALLY DESIGNED HEAT RESISTANT ON-OFF KNOB IS MADE FROM PPS (POLY PHENYLENE SULFIDE) TO PROVIDE A COOLER, LONGER METALLIC LIFE WITH A BEAUTIFUL CHROME FINISH



* Radiance has passed the industry's most rigorous and recent performance, safety and energy efficiency standards.

■ **WARRANTY : 1 Years Labor and Parts Warranty**

Model	Width	Depth	Height	#of Burners	Total BTU	Net Weight
TASP-18	18"	21"	24"	3-Ring	79,000	130
TASP-18S	18"	21"	18"	3-Ring	79,000	130

*Design and specifications subject to change without notice.