

REFRIGERATOR MANUFACTURER
Turbo air
Slicers

**GERMAN
KNIFE**

Economy Slicers



GS-10LD



GS-12LD



GS-12E

≡ FEATURES / BENEFITS ≡

- **1/3 HP KNIFE MOTOR**
Powerful 1/3HP knife motor assures peak performance when slicing the toughest products.
- **ERGONOMIC STYLE CHUTE HANDLE**
Comfortable and stable ergonomic style grip on the chute handle provides easy glide manual operation.
- **TOP MOUNT KNIFE SHARPENER**
Sharpener won't get lost or dropped, aligns consistently to the knife and provides single step for easy maintenance. Swings away from food contact area when not in use.
- **SLICE THICKNESS ADJUSTMENT**
Precise slice thickness adjustment let you slice from tissue thin to 9/16" & 7/16" thick.
- **HARD CHROMED, HOLLOW GROUND KNIFE**
- **ANODIZED ALUMINUM CONSTRUCTION**
- **SAFETY KNIFE COVER**
- **METAL PLATE PROTECTS UNDERSIDE OF SLICER**
- **FAN COOLED, PERMANENTLY LUBRICATED BALL BEARING MOTOR**
- **EASY TO CLEAN SURFACES FOR A HEALTHIER WORK ENVIRONMENT**
- **POWERFUL, YET COMPACT**
- **EASY TO REMOVE SLICE DEFLECTOR**

Distributed By:
Commercial Refrigeration Service, Inc.
<http://WWW.IceCubes.NET>
623-869-8881 or toll free 866-IceMakers

GS-10LD / GS-12LD / GS-12E SPECIFICATIONS

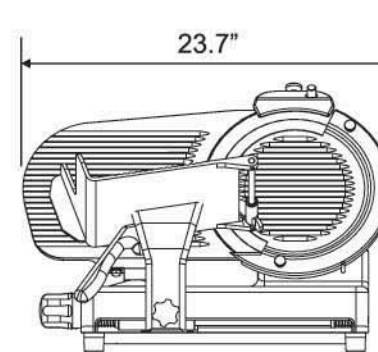
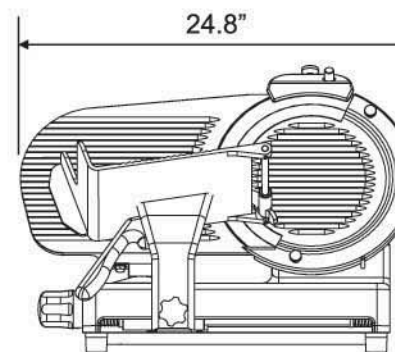
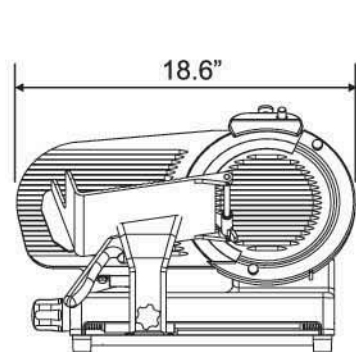
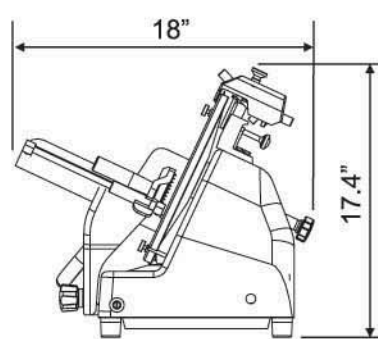
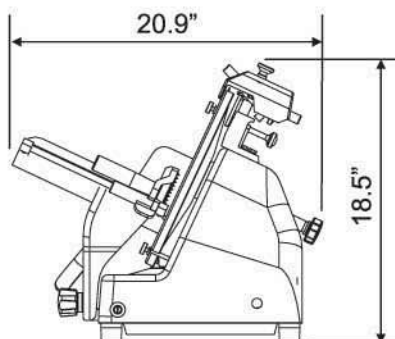
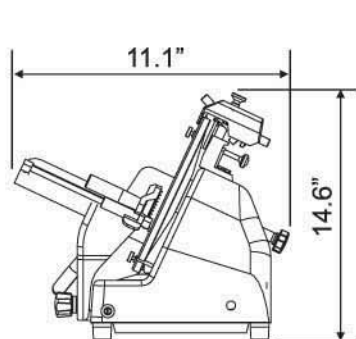
MODEL	GS-10LD	GS-12LD	GS-12E	
DIMENSION	Width	18.6"	24.8"	23.7"
	Depth	11.1"	20.9"	18.0"
	Height	14.6"	18.5"	17.4"
Motor	1/3 HP*1 PH*115V* 60 Hz			
Cut Thickness	Max slice thickness 7/16" thick	Max slice thickness 7/16" thick	Max slice thickness 9/16" thick	
Diameter of Knife	10"	12"	12"	
Net Weight	32 lbs	54 lbs	58 lbs	
Shipping Weight	38 lbs	60 lbs	64 lbs	

■ **WARRANTY : 1 Year Labor and Parts Warranty**

*Design and specifications subject to change without notice.



(unit : inch)



GS-10LD

GS-12LD

GS-12E

REFRIGERATOR MANUFACTURER

Turbo air Slicers

**GERMAN
KNIFE**

Heavy Duty Premium Slicers



GS-12M (Manual)



GS-12A (Automatic)

≡ FEATURES / BENEFITS ≡

- **1/2 HP KNIFE MOTOR**
Powerful 1/2HP knife motor assures peak performance when slicing the toughest products.
- **1/8 HP POWERFUL CHUTE MOTOR**
Powerful torque chute drive motor provides a clean cut on tough products (GS-12A).
- **POWERFUL GEAR DRIVEN KNIFE MOTOR**
German Knife's heavy duty gear drive system provides years of maintenance free reliability without down time. No belts to slip or break.
- **HALF-PERMANENTLY LUBRICATED WORM GEARS**
Worm gears are made of Nytratron that is self-lubricated plastic made in Germany for high speed equipment.
- **ELECTRONIC CONTROL PANEL**
Variable 9 speeds chute drive from 20 to 60 strokes per minute (GS-12A).
- **SELF-DIAGNOSIS FUNCTION (GS-12A ONLY)**
- **STAINLESS STEEL RECEIVING PLATE**
- **STAINLESS STEEL FOR FOOD ZONE**
Stainless steel food contact zone provides easy to clean surfaces and won't chip or peel.
- **OIL LUBRICATION SYSTEM ON TOP AND BOTTOM SLIDE SHAFT**
Oil lubrication system on top and bottom slide shaft provide smooth sliding for the chute compared with competing brands.
- **ERGONOMIC STYLE CHUTE HANDLE**
Comfortable and stable ergonomic style grip on the chute handle provides easy glide manual operation.
- **KNIFE BLADE**
Knife made in Germany holds the cutting edge longer requires less sharpenings, resists corrosion and provides precise and more uniform cuts.
- **HEAVY STAINLESS STEEL END WEIGHT**
Heavy end weight lets you slice tiny pieces to the end and eliminates waste.
- **OPERATOR SIDE END WEIGHT ROD**
By placing the weight rod on the operator side of the chute, the product is held tighter for slicing.
- **TOP MOUNT KNIFE SHARPENER**
- **SAFE KNIFE CLEANING**
German Knife heavy duty slicers are equipped with a permanently attached knife ring guard and interlock knife cover.
- **SLICE THICKNESS ADJUSTMENT**
Precise slice thickness adjustment let you slice from tissue thin to 1" thick.

Distributed By:
Commercial Refrigeration Service, Inc.
<http://WWW.IceCubes.NET>
623-869-8881 or toll free 866-IceMakers

REFRIGERATOR MANUFACTURER
Turbo air

GS-12M / GS-12A SPECIFICATIONS

MODEL	GS-12M	GS-12A	
DIMENSION	Foot Print	17.8"x22.4"	17.8"x22.4"
	Overall Width	25.6"	25.6"
	Overall Depth	23.4"	23.4"
	Overall Height W/Feet	23.6"	27.4"
MOTOR	Knife Motor	1/2HP·1ph·AC115V·60Hz(GS-12A) 1/2HP·1ph·AC115V·60Hz(GS-12M)	
	Chute Motor	1/8HP·90W·DC·AC115V(GS-12A)	
Speed		Max 60 slices/min	
Diameter of Knife	12"	12"	
Slices Thickness	tissue thin~1" thick		
Net Weight	130lbs	173lbs	
Shipping Weight	177lbs	220lbs	
Box Dimensions(LxDxH)	29.5"x28.3"x27.5"	29.5"x28.3"x31.5"	

*Design and specifications subject to change without notice.

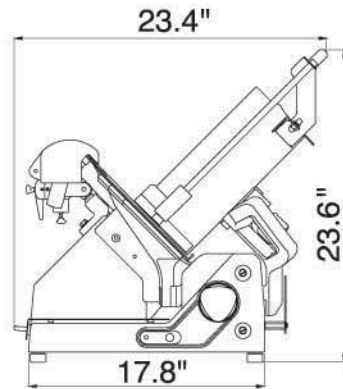
■ **VEGETABLE HOPPER AVAILABLE**

2 Years Labor and Parts Warranty

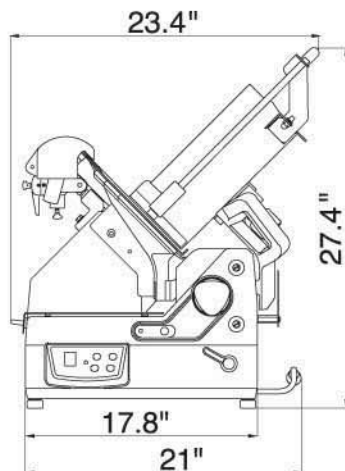
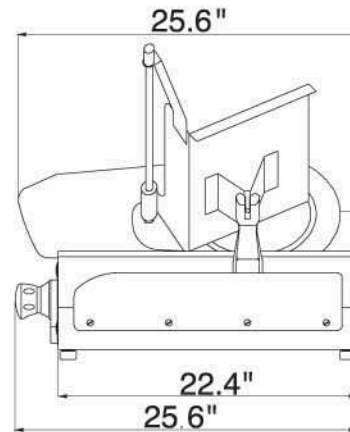
Distributed By:
 Commercial Refrigeration Service, Inc.
<http://WWW.IceCubes.NET>
 623-869-8881 or toll free 866-IceMakers



(unit : inch)



GS-12M VIEW (Manual)



GS-12A VIEW (Automatic)

