

REFRIGERATOR MANUFACTURER  
**Turbo air**  
Meat Saws

**GERMAN  
KNIFE**

## High Quality Stainless Steel Interior and Frame

Distributed By:  
Commercial Refrigeration Service, Inc.  
<http://WWW.IceCubes.NET>  
623-869-8881 or toll free 866-IceMakers



**GBS-230A**



**GBS-270S**



**GBS-450S**

### ≡ FEATURES / BENEFITS ≡

■ **ALL STAINLESS STEEL INTERNAL PARTS**

All of the internal metal parts including the upper wheel, lower wheel, upper wheel hinge and the lower bearing housing are made with stainless steel.

■ **AUTOMATIC TENSION ADJUSTING HANDLE (GBS-230A)**

The automatic tension adjusting handle makes replacement of saw blades easy and maintains even tension.

■ **ELECTRICAL CONTROL SYSTEM**

The magnetic switch system ensures consistent electrical contact which provides safety through dynamic braking and automatic overload protection.

■ **FRAME MATERIALS**

All frame and food contact parts are made with either stainless steel (GBS-270S, GBS-450S) or aluminum (GBS-230A) providing improved durability and sanitation.

■ **MOTOR**

The motor produces less heat and runs at a lower temperature by using a type "A" grade insulation. The motor also uses a cooling fan to reduce the possibility of overheating and an automatic over temperature shutdown sensor to prevent damage.

■ **PROTECTION AGAINST WATER DAMAGE**

The upper wheel assembly and the lower bearing housing assembly are sealed against water damage allowing faster clean up and protection when cutting wet products.

■ **MOTOR DRIVE**

The motor delivers power to the lower wheel through a V-belt drive system resulting in minimal vibration and noise. The motor is designed to maintain a high torque even at normal running speed.

■ **SAFETY**

A rolling table and hand guard provide safe and sanitary operation. If the door opens during operation, the installed sensor automatically shuts off the power.

■ **CLEANING**

Both the upper and lower wheels have cleaning devices insuring improved durability and sanitation. The door is hinged and easily removed for cleaning. The installed scrap box allows quick removal of waste.

■ **THICKNESS ADJUSTING**

The scaled shaft of the thickness adjusting plate allows a standardized and consistent product cut.

**GBS-230A / GBS-270S / GBS-450S SPECIFICATIONS**

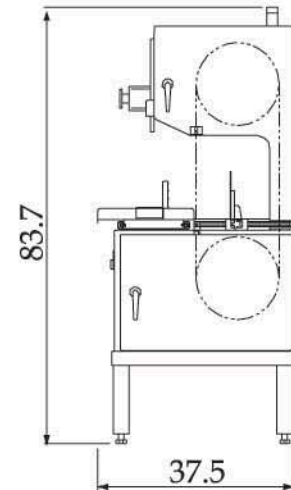
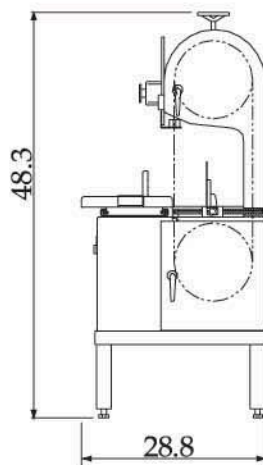
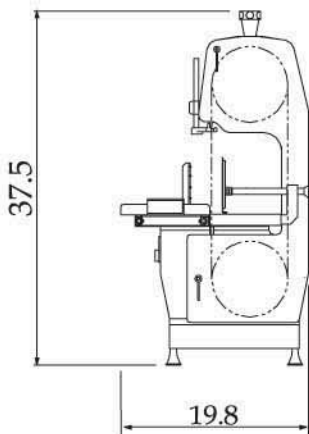
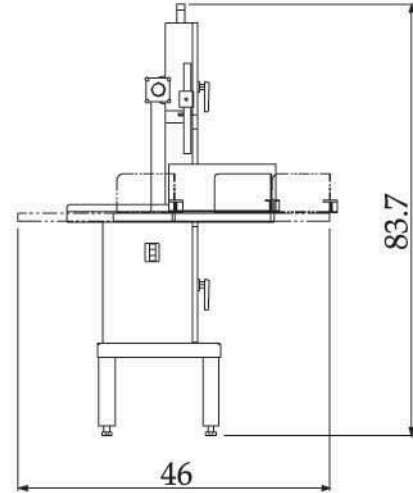
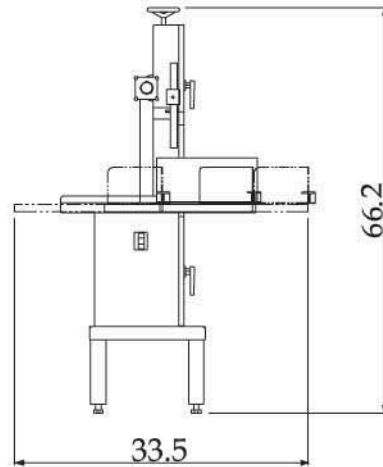
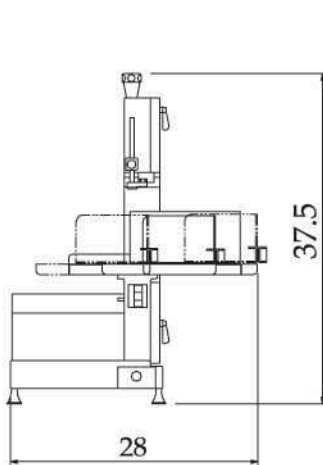
MODEL	GBS-230A	GBS-270S	GBS-450S
Dimension(WxLxH)	19.8x28x37.5	28.8x33.5x66.2	37.5x46x83.7
Motor	3/4HP	1 1/2HP	3HP
Power Voltage	AC115V·60Hz·1Phase	AC115V·60Hz·1Phase	AC208V·60Hz·3Phase
Length of Saw Blade	66.1	92.9	126
Shipping Weight	225lbs	335lbs	397lbs
Saw Blade Speed	1,716ft/min	2,707ft/min	4,000ft/min
Loading Dimension(LxH)	7.5x8.6	10.5x11.9	15.5x18.4
Work Table	19.8x19.7	29.9x28	34x36
Switch	Double Function Push Button	Double Function Push Button	Tow Hands Start
Drive	Non slip V-belt A-24	Non slip V-belt B-42	Non slip V-belt

\*Design and specifications subject to change without notice.

**2 Years Labor and Parts Warranty**



(unit : inch)



**GBS-230A VIEW**

**GBS-270S VIEW**

**GBS-450S VIEW**