

REFRIGERATOR MANUFACTURER
Turbo air
Meat Grinder

**GERMAN
KNIFE**

High Volume and Heavy Duty



GG-22

≡ FEATURES / BENEFITS ≡

▪ **GEAR DRIVEN SCREW MOTOR**

German Knife's heavy duty meat grinder provides years of maintenance free operation.

Powerful 1.5 HP motor with gear drive can be fed at a rapid pace with continuous chopping action with no crushing or mashing of the meat.

▪ **STAINLESS STEEL POLISHED**

FOOD CONTACT ZONE

The bowl assembly and feed tray food contact surfaces are stainless steel.

▪ **REMOVABLE BOWL ASSEMBLY AND FEED TRAY**

The bowl assembly and feed tray which contact the food are easily removed and cleaned without the use of tools.

▪ **ERGONOMIC STYLE HAND WHEEL RING**

Comfortable and stable ergonomic hand wheel ring on the bowl assembly.

▪ **SEALED GEAR BOX**

The gear box uses a sealed oil bath system to lubricate the gears and minimize water damage.

▪ **SAFETY**

The bowl assembly uses a safety opening eliminating the possibility of injury to the operator.

Distributed By:

Commercial Refrigeration Service, Inc.

<http://WWW.IceCubes.NET>

623-869-8881 or toll free 866-IceMakers

REFRIGERATOR MANUFACTURER
Turbo air

GG-22 SPECIFICATIONS

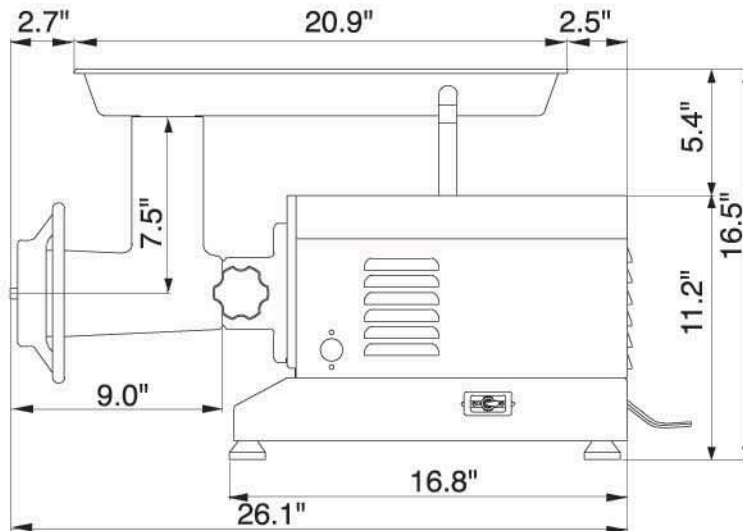
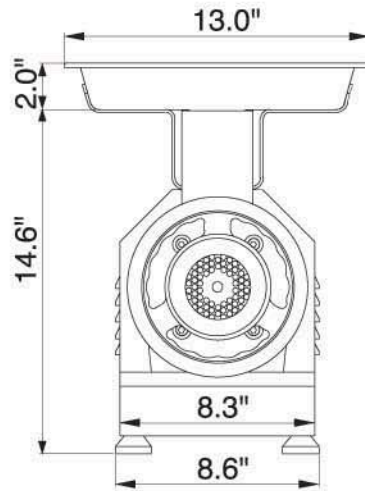
MODEL		GG-22
DIMENSION	Foot Print	16.8"x8.6"
	Overall Width	26.1"
	Overall Depth	13.0"
	Overall Height W/Feet	16.5"
Motor		1.5HP · 1ph · AC115V · 60Hz
Capacity		660 lbs/h
Diameter of Knife		3"
Shipping Weight		125lbs

2 Years Labor and Parts Warranty

Distributed By:
 Commercial Refrigeration Service, Inc.
<http://WWW.IceCubes.NET>
 623-869-8881 or toll free 866-IceMakers



(unit : inch)



GG-22 VIEW