

Slicer

* 1/8 HP Powerful Chute Motor

Powerful torque chute drive motor provides a clean cut on tough products.

* Powerful Gear Driven Knife Motor

German Knife's Heavy Duty Gear Drive System provides years of maintenance free reliability without down time. No belts to slip or break. Powerful 1/2HP Knife Motor assures peak performance when slicing the toughest products.

* Half-Permanently Lubricated Worm Gears

Grease reservoir attached to the Knife Motor allows the Worm Gears to last longer. Worm Gears are made of Nytratron that is self-lubricated plastic made in Germany for high speed commercial equipment.

* Electronic Control Panel

Variable 9 speeds chute drive from 20 to 60 strokes per minute. (GS-12A only)
 German Knife's new touch pad control board are easy to operate.

* Self-diagnosis function

Self-diagnosis function protects against an overheated or over current condition on the Knife and Chute Motors. (GS-12A only)

* Stainless Steel Structure for Food Zone

Stainless Steel food contact zone provides easy to clean surfaces and won't chip or peel.

* Stainless Steel Slice Receiving Plate

* Oil Lubrication System on Top and Bottom Slide Shaft

Oil lubrication system on top and bottom slide shaft provide smooth sliding for the chute compared with competing brands.



GS-12M(Manual)



GS-12A(Automatic)

* Vegetable hopper available



GERMAN KNIFE

SPECIFICATIONS

MODEL		GS-12A	GS-12M
DIMENSION	Foot Print	17.8"x22.4"	17.8"x22.4"
	Overall Length	25.6"	25.6"
	Overall Width	23.4"	23.4"
	Overall Height W/Feet	27.4"	23.6"
MOTOR	Knife Motor	1/2HPx1phxAC115Vx60Hz(GS-12A)	
	Chute Motor	1/2HPx1phxAC115Vx60Hz(GS-12M)	
Speed		Max 60 slices/min	
Diameter of knife		Dia 12"	Dia 12"
Slices Thickness		tissue thin~1" thick	
Net Weight		173lbs	130lbs
Shipping weight		220lbs	177lbs
Box dimensions(LxDxH)		29.5"x28.3"x31.5"	29.5"x28.3"x27.5"

*Design and specifications can be changed without prior notice for product improvement.

Distributed By:
 Commercial Refrigeration Service, Inc.
 WWW.IceCubes.NET
 623-869-8881 or toll free
 866-IceMakers

* Ergonomic Style Chute Handle

Comfortable and stable ergonomic style grip on the chute handle provides easy glide manual operation.

* Knife Blade

Exclusive knife made in Germany holds the cutting edge longer requires fewer sharpening, resists corrosion and provides precision cutting and more uniform slices each and every time.

* Heavy Stainless Steel End Weight

Heavy end weight lets you slice tiny pieces to the end and eliminates waste.

* Operator Side End Weight Rod

By placing the end weight rod on the operator side of the chute the product is held tighter for slicing.

* Top Mount Knife Sharpener

Sharpener won't get lost or dropped, aligns consistently to the knife and provides single easy step maintenance, swings away from food contact area when not in use.

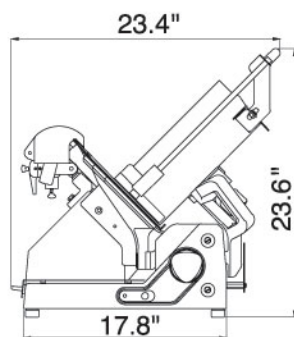
* Safe Knife Cleaning

German Knife heavy duty slicers are equipped with a permanently attached knife ring guard and interlock knife cover. These features help protect the operator from contacting the blade's edge while cleaning.

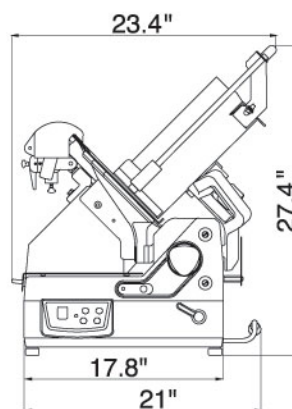
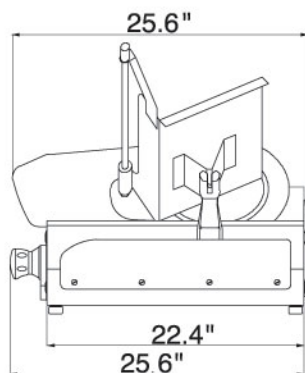
* Slice Thickness Adjustment

"Precise slice thickness adjustment lets you slice from tissue thin to 1" thick.

(unit : inch)



GS-12M VIEW (Manual)



GS-12A VIEW (Automatic)

