

## Meat Grinder

### \* Gear Driven Screw Motor

German Knife's heavy duty meat grinder provides years of maintenance free operation. Powerful 1.5 HP motor with gear drive can be fed at a rapid pace with continuous chopping action with no crushing or mashing of the meat.

### \* Stainless Steel Polished Food Contact Zone

The bowl assembly and feed tray food contact surfaces are stainless steel.

### \* Removable Bowl Assembly and Feed Tray

The bowl assembly and feed tray which contact the product are easily removed and cleaned without the use of tools.

### \* Ergonomic Style Hand Wheel Ring

Comfortable and stable ergonomic hand wheel ring on the bowl assembly.

### \* Sealed Gear Box

The gear box uses a sealed oil bath system to lubricate the gears and minimize water damage.



GG-22  
**List Price**  
**\$ 2,620.00**



Distributed By:  
 Commercial Refrigeration Service, Inc.  
 WWW.IceCubes.NET  
 623-869-8881 or toll free 866-IceMakers

**GERMAN  
KNIFE**

## SPECIFICATIONS

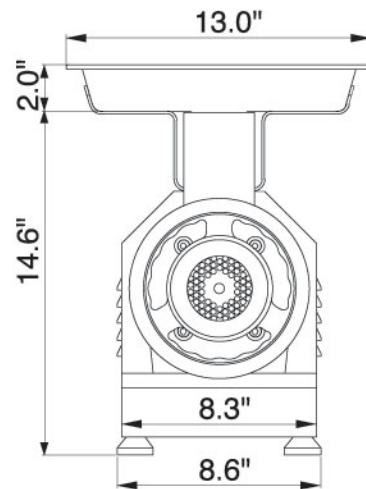
MODEL		GG-22
DIMENSION	Foot Print	16.8"x8.6"
	Overall Length	26.1"
	Overall Width	13.0"
	Overall Height W/Feet	16.5"
Motor	1.5HP, 1ph, AC115V, 60Hz	
Capacity	660 lbs/h	
Diameter of knife	3"	
Shipping weight	125lbs	

\*Design and specifications can be changed without prior notice for product improvement.

### \* Safety

The bowl assembly uses a safety opening which eliminates the possibility of injury to the operator.

(unit : inch)



**GG-22 VIEW**

