

RF0244 • RF0266 Flake Ice Machines



Manitowoc

Distributed by:
Commercial Refrigeration Service, Inc.
<http://www.IceCubes.NET>
toll free 866 IceMakers
866 423-6253
623 869-8881



Model RF0244A
Flake Ice Machine



Model RF0266A
Flake Ice Machine



- Up to 182 lbs. (83 kgs.) daily flake ice production.
- Up to 60 lbs. (27 kgs.) ice storage capacity.
- High load capacity bearings for enhanced reliability.
- Heavy duty stainless steel cabinet resists corrosion.
- Easy access door, slides up & out of the way.

Warranty

- 3-year Parts
- 2-year Labor
- Compressor parts for 5 years and labor for 2 years.



ISO 9001:2000
Quality System
Certified

America's #1 Selling Ice Machine

Ice Cube & Flake Machines • Ice Storage Bins • Ice Dispensers

Manitowoc

Manitowoc RF0244 • RF0266 Flake Ice Machines

	Model	Ice Shape	Ice Production 24 Hrs.		Power kWh/ 100 lbs./ 90°/70°F	Potable Water Usage (100 lbs./ 45.4 kgs. of Ice)	Bin Storage Capacity
			70° Air / 50°F Water	90° Air / 70°F Water			
AIR-COOLED	RF0244A	Flake	182 lbs.	150 lbs.	7.86	12 Gal.	40 lbs.
			83 kgs.	68 kgs.		45.4 L	18 kgs.
	RF0266A	Flake	182 lbs.	150 lbs.	7.86	12 Gal.	60 lbs.
			83 kgs.	68 kgs.		45.4 L	27 kgs.

*"A" following model number indicates "Air" condensing unit.

Ice Machine Electric

*115/60/1. (230/50/1 also available.)

115/60/1 ice machines are factory pre-wired with a 6' (180 cm) power cord and NEMA 5-15P plug configuration.

*230/50/1 ice machines are factory pre-wired with a 6' (180 cm) power cord with either: no plug or prewired with Schuko or Blade "G Type" Plugs.

Total ampacity: Air-cooled: 7.5 amps.

Maximum fuse size: Air-cooled: 15 amps.

HACR-type circuit breakers can be used in place of fuses.

Specifications

BTU Per Hour:

2,400 (average)

Compressor:

Nominal rating: 1/4 HP

Refrigerant: R-404A

Operating Limits:

- Ambient Temperature Range: 50°-110°F (10°-43°C)
- Water Temperature Range: 37°-90°F (3°-32°C)
- Water Pressure Ice Maker Water In: Min. 14 psi (96.5 kPa) Max. 80 psi (551.6 kPa)

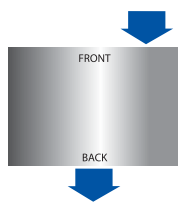


Standard Equipment

RF0244A / RF0266A

Ice Scoop, 6" Bin Legs, Alternate Low Profile Legs
Standard Legs Adjustable from 4-1/2" to 6"
Low Profile Non-Adjustable 1/4"

Air Flow Overhead View



Air in front,
air out
back, no
side vents.

Space-Saving Designs

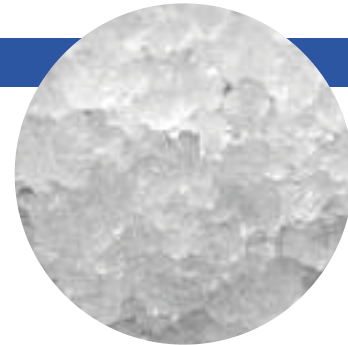


	RF0244	RF0266
Height	33.17" 84.24 cm	37.50" 95.24 cm
Width	19.69" 50.00 cm	19.69" 50.00 cm
Depth	25.98" 66.00 cm	25.98" 66.00 cm
Bin Storage	40 lbs. 18 kgs.	60 lbs. 27 kgs.

Height includes adjustable bin legs 4.50" to 6.00", (11.43 cm to 15.24 cm) set at 6.00" (15.24 cm).

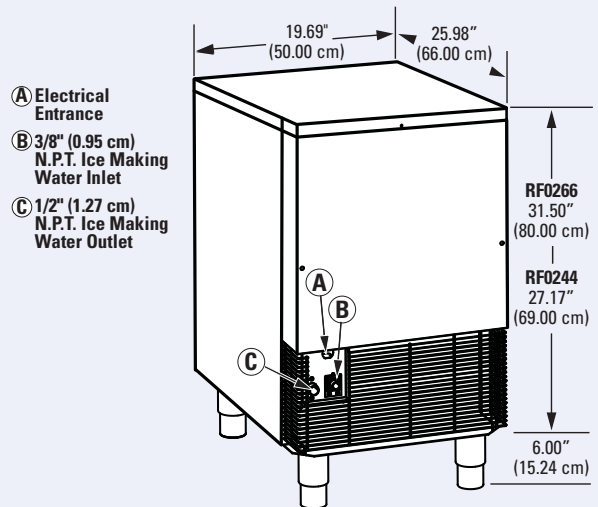
Ice Shape

Flake ice is small hard bits of ice ideally suited for presentation applications.



Ice shown actual size

RF0244/RF0266



Installation Note - Minimum installation clearance:
Top/sides: 8" (20.32 cm), back: 5" (12.70 cm).

Distributed by:
Commercial Refrigeration Service, Inc.
<http://www.IceCubes.NET>
toll free 866 IceMakers
866 423-6253
623 869-8881



We are committed to protecting the environment and its resources. For up-to-date product data always view an electronic version on our web site.



MANITOWOC ICE
2110 South 26th Street, P.O. Box 1720
Manitowoc, WI 54221-1720, USA
Ph: 920-682-0161 • Fax: 920-683-7589
Visit us online at www.manitowocice.com

