

MFI0500 - Flake Ice Maker



MFI0500 on B42

Features

- Only 21" (533 mm) wide.
- Produces up to 540 lbs (245 kg) of ice per day.
- *SystemSafe* load monitoring system constantly checks workload on gearbox — shutting down system before a problem develops and preventing costly repairs.
- Water sensor eliminates low or no water failures and cannot be affected by adverse water conditions.
- Rugged stainless steel evaporator and auger ensures reliability.
- Industrial-grade roller bearings and heavy duty gearbox provide years of trouble free service.

Options & Accessories

Water Filters			
Ice Machine Model	Manifold		Inline
	System	Replacement	System
MFI0500	IFQ1	IOMQ (1)	IFI4C / IFI8C

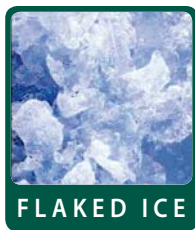
Ice Maker Warranty

Every Ice-O-Matic ice maker is backed by a warranty that provides both parts and labor coverage.

Parts & Labor

- Three years **Parts and Labor**.
- Five years **Parts** coverage on the compressor.

Ice Form



Bin Chart

Kits for Combining Wider Bins with Smaller Models

Ice Storage Bins								
Model No. Capacity Width	B25 255 lbs (116 kg) 30 in (762 mm)	B40 365 lbs (165 kg) 30 in (762 mm)	B42 374 lbs (170 kg) 22 in (559 mm)	B55 556 lbs (252 kg) 30 in (762 mm)	B100 927 lbs (420 kg) 48 in (1219 mm)	B120 1193 lbs (541 kg) 48 in (1219 mm)	B150 1499 lbs (679 kg) 60 in (1524 mm)	B170 1866 lbs (846 kg) 60 in (1524 mm)
MFI0500	KBT19	KBT19	KBT24	KBT19	KBT23	KBT23	N/A	N/A
MFI0500(2)	N/A	N/A	N/A	N/A	KBT22	KBT22	N/A	N/A

**See Ice-O-Matic Price List for Adapter Kits to combine ice makers with most available ice/beverage dispensers.*

Ice-O-Matic®

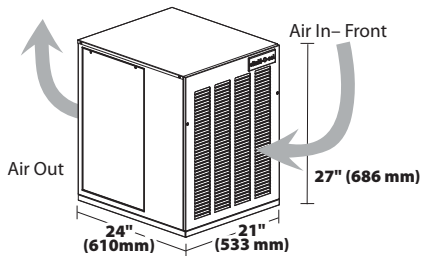
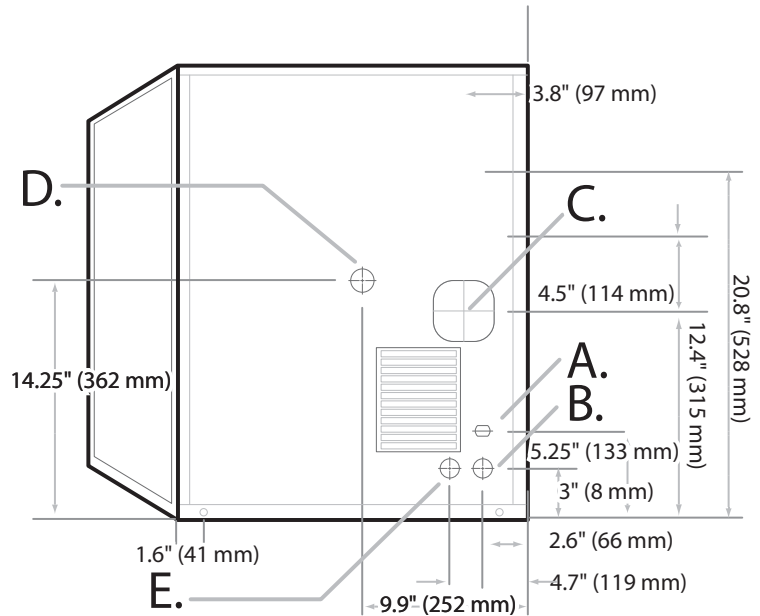
Distributed By:
 Commercial Refrigeration Service, Inc.
 623-869-8881
 or toll free (866) IceMakers
<http://WWW.866IceMakers.COM>

MF10500 Flake Ice Maker

Air Cooled

Please note: air-cooled units require 6" (152 mm) clearance for air intake and exhaust.

- A. Ice maker potable water in, 3/8" Male Flare.
- B. Drain, 3/4" FPT.
- C. Hole for electrical connection.
- D. Condenser drain (water cooled only) 1/2" FPT.
- E. Condenser inlet (water cooled only) 3/8" FPT



Air /Water Cooled

Operating Requirements

	Minimum	Maximum
		60 Hz
Ambient Temp. Range Air	50°F (10°C)	100°F (38°C)
Water Temp.	40°F (4.4°C)	100°F (38°C)
Water Pressure	20 PSIG (1.4 BAR)	120 PSIG (8.3 BAR)

Dimensions

All Models	
W x D x H (inches)	21 x 24 x 27
W x D x H (mm)	533 x 610 x 686

Specifications

Model Number	Cond. Unit	Ice Production per 24hrs		Water Usage per 100lbs (45kg) of ice 90°F/32°C air 70°F/ 21°C water		kWH Used per 100 lbs (45 kg) of ice @ 90°F/ 32°C air 70°F/21°C water	Voltage	Min. Circuit Amps	Fuse Size	Approx. BTUs per hour
		70°F/21°C air 50°F/10°C water lbs (kg)	90°F/32°C air 70°F/21°C water lbs (kg)	Potable gal (l)	Condenser gal (l)					
MF10500A	Air	540 (245)	401 (182)	12.0 (45.4)	-	4.5	115/60/1	16.0	20	5,600
MF10500W	Water	550 (250)	460 (209)	12.0 (45.4)	68.4 (258.9)	3.8	115/60/1	14.4	20	5,600

NOTES:

Number of Wires: 3 (including ground)
 Approx. Shipping Weight lbs (kg): MF10500AS 205 (93) • MF10500WS 205 (93)
 Refrigerant Type: R404A