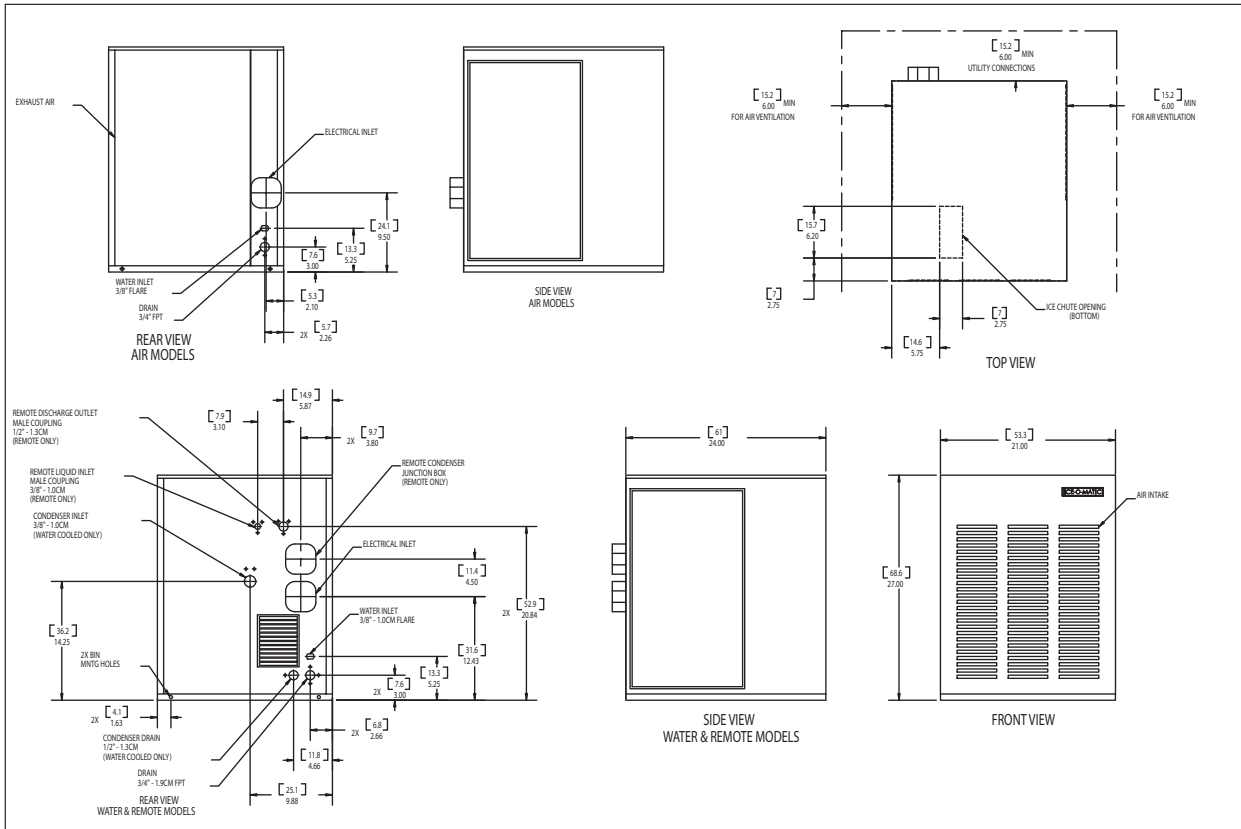




Distributed By:
 Commercial Refrigeration Service, Inc.
 623-869-8881
 or toll free (866) IceMakers
<http://WWW.866IceMakers.COM>

GEM0650 - 600 lb Nugget Ice Maker



Operating Requirements

	Minimum	Maximum
Ambient Temp. Range Air	50°F (10°C)	100°F (38°)
Water Temperature	40°F (4°C)	100°F (38°)
Remote Cond. Temps	-20°F (-29°C)	120°F (50°C)
Water Pressure	20 PSIG	120 PSIG

Dimensions and Weight

All Models	
H X W X D inches	21 x 24 x 27
H X W X D mm	533.4 x 609.6 x 685.8
BTUs per hour	5,600

Specifications

Model Number	Cond. Unit	Ice Production per 24hrs @ 70°F Air/50°F water lbs (kg)	Ice Production per 24hrs @ 90°F Air/70° water lbs (kg)	Water usage gallons per 100 lbs of ICE 90° F Air/70° F water		kWh used per 100 lbs of ICE @ 90°F Air/70° F water	Voltage Characteristics	Min. Circuit Ampacity	Shipping Weight lbs (kg)
				Potable	Condenser				
GEM0650A	Air	700 (318)	520 (236)	12	-	5.3	115/60/1	19.5	205 (93)
GEM0650W	Water	745 (338)	605 (274)	12	88.4	4.1	115/60/1	18.3	200 (91)
GEM0650R	Remote	615 (279)	560 (254)	12	-	6.2	115/60/1	22.5	220 (100)
GEM0655A	Air	700 (318)	520 (236)	12	-	4.4	230/50/1	10.1	205 (93)

- Notes:
- Number of Wires = 3
 - Max Fuse Size for Air/Water = 15
 - Max Fuse Size for Remote = 20
 - GRC1001-Remote Condenser for GEM0650