

Ice-O-Matic®

Distributed By:
 Commercial Refrigeration Service, Inc.
 623-869-8881
 or toll free (866) IceMakers
<http://WWW.866IceMakers.COM>

CD40030/40130 - Cube Ice Dispenser



CD40030 with ICE0400

Features

- Only 30" (762 mm) wide.
- Produces 180 lbs (81 kg) of ice per day.
- *Turbo Dispense* dispenses ¼ lbs of ice per second.
- *Power Clean* allows access to the bin for easy cleaning without moving the ice machine. Interlock safety switch turns off machine agitation when tip-front access panel is removed.
- 4" foam insulation for maximum ice preservation – no more quick melting ice.
- Constructed from corrosion-resistant stainless steel and fingerprint-proof plastic.

Ice Production for Optional Cube Ice Makers — Pounds (Kilograms) per 24 hours

Model Number	ICE0250	ICE0305	ICE0400	ICE0405	ICE0500
Air-Cooled	336 (153)	361 (164)	505 (230)	498 (226)	600 (273)
Water-Cooled	333 (151)	344 (155)	496 (225)	440 (200)	596 (271)
Remote-Cooled	n/a	n/a	n/a	n/a	567 (258)
Voltage Char.	115/60/1	230/50/1	115/60/1	230/50/1	115/60/1

Tested at 70° Air/50° Water.

All specifications and performance data are subject to normal manufacturing variances.

Accessories

Model Number	Water Dispenser	Coin / Token Mechanisms	Both
CD40022	Yes	Yes	Yes
CD40030	Yes	Yes	Yes
CD40130	Included	Yes*	No
CD40230	Yes*	Included	No
CD40530	Yes	Yes	Yes

*Cannot be field installed

Ice Form



Full Cube	
W x D x H (in)	¾ x ¾ x ¾
W x D x H (mm)	22 x 22 x 22
Half Cube	
W x D x H (in)	¾ x ¾ x ¾
W x D x H (mm)	22 x 22 x 10

Space-Saving Solutions

- Great for hard water, food safety and tight spaces.
- Ultra-low profile design.
- Maximum ice storage in a minimum amount of space.
- Stores 180 lbs (81 kg) of ice.
- Only 30" (762 mm) wide.
- User friendly push-to-dispense operation.
- Available with water glass filler and coin/token options.



11100 E. 45th Avenue
 Denver, CO 80239

Phone: 1. 866. PURE. ICE
 Fax: 303. 371.6296
www.iceomatic.com

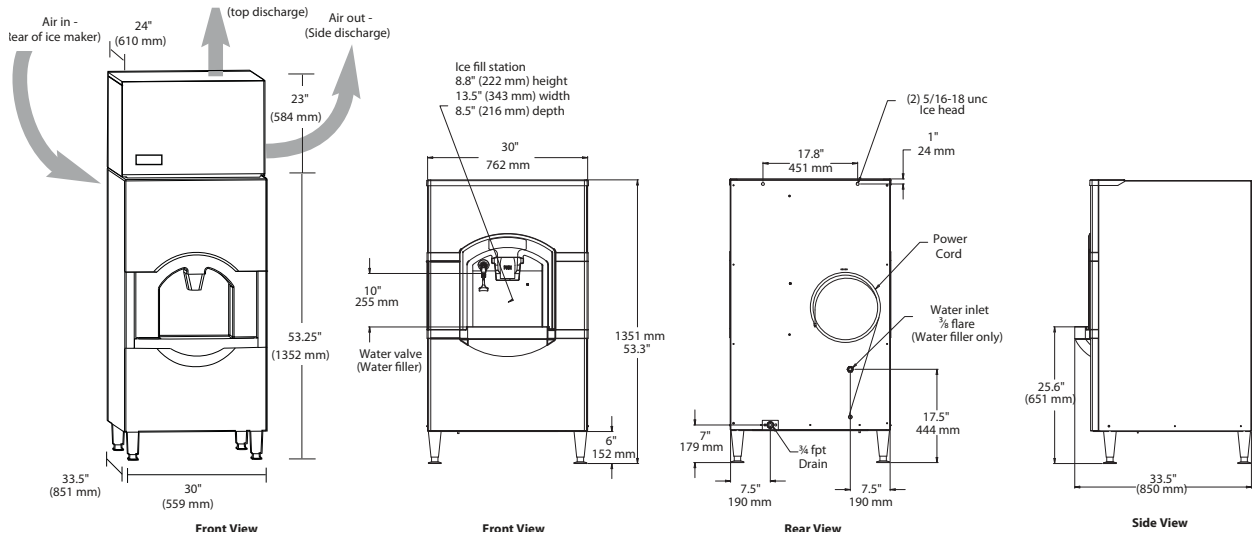
Part: 7011
 Rev: A-10/08

CD40030/40130 Cube Ice Dispenser

Ice-O-Matic®

Distributed By:
 Commercial Refrigeration Service, Inc.
 623-869-8881
 or toll free (866) IceMakers
<http://WWW.866IceMakers.COM>

CD40030/40130 Cube Ice Dispenser



Operating Requirements

	Minimum	Maximum
		60 Hz
Ambient Temp. Range Air	50°F (10°C)	110°F (43°C)
Water Temp.	40°F (4.4°C)	100°F (38°C)
Water Pressure	20 PSIG (1.4 BAR)	60 PSIG (4.1 BAR)

Dimensions (dispenser only)

All Models	
W x D x H (inches)	30 x 33 x 53.25
W x D x H (mm)	762 x 838 x 1,346

Specifications

Model Number	Dispenser Operation	ARI Bin Storage Applied Capacity	Voltage Characteristics	Min. Circuit Ampacity
CD40030	Push	180 (81)	115/60/1	2.1
CD40130	Push/Water	180 (81)	115/60/1	2.1
CD40230	Coin/Token	180 (81)	115/60/1	2.1
CD40530	Push	180 (81)	230/50/1	2.1

*Accepts 1 US Quarter or tokens only. Multiple coin / token mechanism can be special-ordered. Call 800-423-3367 for details.

All specifications and performance data are subject to normal manufacturing variances.

- Note #1: Model CD40030 and CD40530 dispensers accept all 30" ICE Series™ Cube Ice Makers. Do not use 21th ICE1506
- Note #2: Water dispensers and coin / token mechanisms cannot be field installed on the CD400 Series Dispensers
- Note #3: CD400 Series Dispensers cannot have a water dispenser and coin / token mechanism on the same machine
- Note #4: CD40030 and CD40530 Series units do not require an Adaptor and Bin Level Kit. Not for use with 22" machines.

NOTES:

Number of Wires: 3 (including ground)
 Approx. Shipping Weight lbs (kg): CD40030 220 (100) • CD40130 224 (100.2) • CD40230 220 (100) • CD40530 220 (100)
 Refrigerant Type: R404A