

Ice-O-Matic®

Distributed By:
 Commercial Refrigeration Service, Inc.
 623-869-8881
 or toll free (866) IceMakers
<http://WWW.866IceMakers.COM>

CD40022/40522 - Cube Ice Dispenser



CD40022 with ICE0320

Features

- Only 22" (558 mm) wide.
- Only 77 inches (1935 mm) tall with ICE Series machine
- Stores 120 lbs (55 kg) of ice.
- *Turbo Dispense* dispenses ¼ lbs of ice per second.
- *Power Clean* allows access to the bin for easy cleaning without moving the ice machine. Interlock safety switch turns off machine agitation when tip-front access panel is removed.
- 4" foam insulation for maximum ice preservation – no more quick melting ice.
- Constructed from corrosion-resistant stainless steel and fingerprint-proof plastic.

Ice Production for Optional Cube Ice Makers

Pounds (Kilograms) per 24 hours

Model Number	ICE0320	ICE0520
Air-Cooled	334 (152)	520 (236)
Water-Cooled	349 (159)	527 (240)
Remote-Cooled	n/a	n/a
Voltage Char.	115/60/1	115/60/1

Tested at 70° Air/50° Water.

2. All specifications and performance data are subject to normal manufacturing variances.

Accessories

Model Number	Water Dispenser	Coin / Token Mechanisms	Both
CD40022	Yes	Yes	Yes
CD40030	Yes	Yes	Yes
CD40130	Included	Yes*	No
CD40230	Yes*	Included	No
CD40530	Yes	Yes	Yes

*Cannot be field installed

Ice Form



Full Cube	
W x D x H (in)	7/8 x 7/8 x 7/8
W x D x H (mm)	22 x 22 x 22
Half Cube	
W x D x H (in)	7/8 x 7/8 x 3/8
W x D x H (mm)	22 x 22 x 10

Space-Saving Solutions

- Great for hard water, food safety and tight spaces.
- Ultra-low profile design.
- Maximum ice storage in a minimum amount of space.
- Stores 120 lbs (55 kg) of ice.
- Only 22" (558 mm) wide.
- User friendly push-to-dispense operation.
- Available with water glass filler and coin/token options.

CD40022/40522 Cube Ice Dispenser



11100 E. 45th Avenue
 Denver, CO 80239

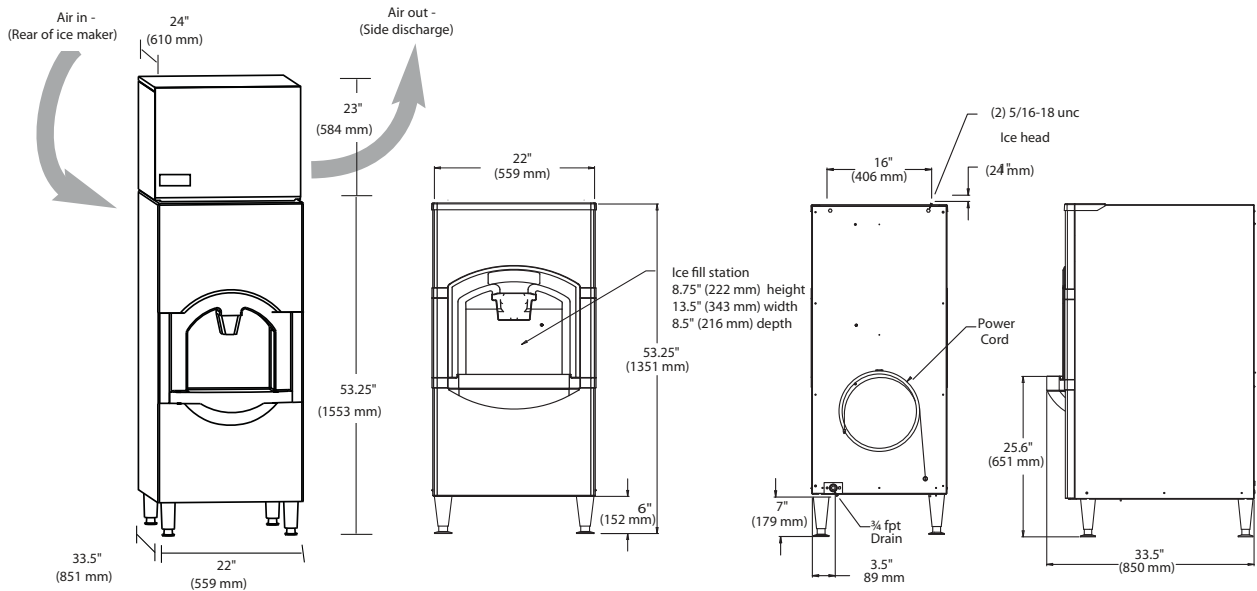
Phone: 1. 866. PURE. ICE
 Fax: 303. 371.6296
www.iceomatic.com

Part: 4006
 Rev: A-10/08

Ice-O-Matic®

Distributed By:
 Commercial Refrigeration Service, Inc.
 623-869-8881
 or toll free (866) IceMakers
<http://WWW.866IceMakers.COM>

CD40022/40522 Cube Ice Dispenser



Operating Requirements

	Minimum	Maximum
		60 Hz
Ambient Temp. Range Air	50°F (10°C)	110°F (43°C)
Water Temp.	40°F (4.4°C)	100°F (38°C)
Water Pressure	20 PSIG (1.4 BAR)	60 PSIG (4.1 BAR)

Dimensions (dispenser only)

All Models	
W x D x H (inches)	22 x 33.5 x 53.25
W x D x H (mm)	762 x 838 x 1,346

Specifications

Model Number	Dispenser Operation	ARI Bin Storage Applied Capacity	Voltage Characteristics	Min. Circuit Ampacity
CD40022	Push	120 (55)	115/60/1	2.1
CD40522	Push	120 (55)	230/50/1	2.1

*Accepts 1 US Quarter or tokens only. Multiple coin / token mechanism can be special-ordered. Call 800-423-3367 for details.

- Note #1: Model CD40022 and CD40522 dispensers accept all 22" ICE Series™ Cube ICE Makers
- Note #2: CD40022 and CD40522 Series units do not require an Adaptor and Bin Level Kit

NOTES:

Number of Wires: 3 (including ground)
 Approx. Shipping Weight lbs (kg): 230 lbs (105 kg)
 Refrigerant Type: R404A