

# F-450MAH(C)

## MODULAR FLAKER/CUBELET ICE MACHINE

### SLIM-LINE SERIES

Item # \_\_\_\_\_

Project: \_\_\_\_\_

Qty: \_\_\_\_\_

\*AutoCad available on KCL

F-450MAH(C)

1/07

Item # 13133

#### FLAKER/CUBELET DIMENSIONS

W x D x H

**F-450MAH(C)**

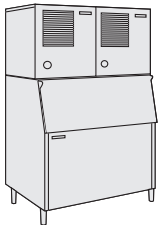
22 x 27<sup>3/8</sup> x 21<sup>7/8</sup>



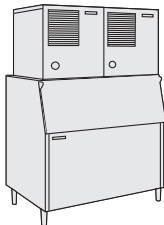
B-300



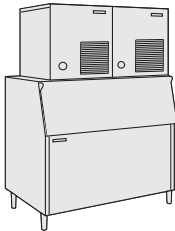
B-500



B-700



B-800



B-900

Also available on Large Bins:

B-1150SS

B-1300SS

B-1500SS

B-1650SS



### F-450MAH

Air-Cooled

Shown on an optional  
B-300

### F-450MAH-C

Air-Cooled


#### F-450MAH

- Up to 476 lbs. of ice production per 24 hours

#### F-450MAH-C

- Up to 426 lbs. of ice production per 24 hours

#### F-450MAH & F-450MAH-C

- Durable stainless steel exterior
- CleanCycle I2® Design 
- 15 minute flush cycle every 12 hours
- Removes sediment
- Cleaner ice
- Longer life and easy maintenance
- Removable air filters (Air-cooled model only)
- R-404A Refrigerant



#### Warranty

Valid in United States, Canada, Puerto Rico, & U.S. Territories. Contact factory for warranty in other countries.

**Two Year** - Parts & Labor on entire machine.

**Five Year** - Parts on Compressor, air-cooled condenser coil.



# F-450MAH(C) FLAKER/CUBELET ICE MACHINE SLIM-LINE SERIES

**DIMENSIONS**  
W x D x H  
**F-450MAH(C)**  
22" x 27<sup>3/8</sup>" x 21<sup>7/8</sup>"

- Air-cooled - Flaker ice machine
- Air-cooled - Cubelet ice machine

## AIR-COOLED / F-450MAH

Water Temp° F.	50°	70°	90°
Air Temp° F. 70°	476	456	435
Air Temp° F. 80°	416	397	379
Air Temp° F. 90°	362	<b>355</b>	330

## AIR-COOLED / F-450MAH-C

Water Temp° F.	50°	70°	90°
Air Temp° F. 70°	426	407	387
Air Temp° F. 80°	368	350	333
Air Temp° F. 90°	317	<b>310</b>	287

## UTILITY CONSUMPTION

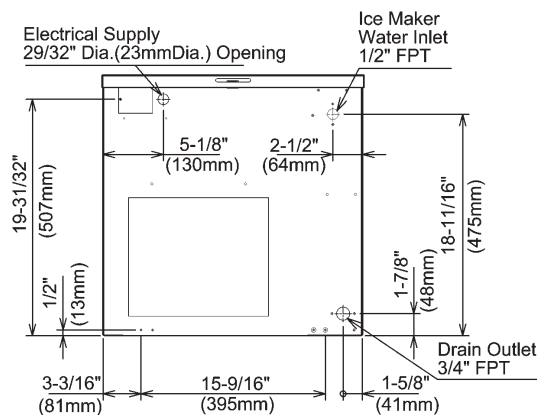
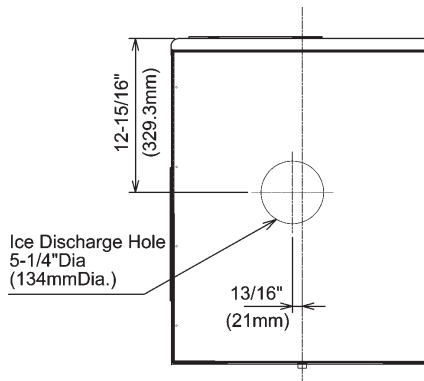
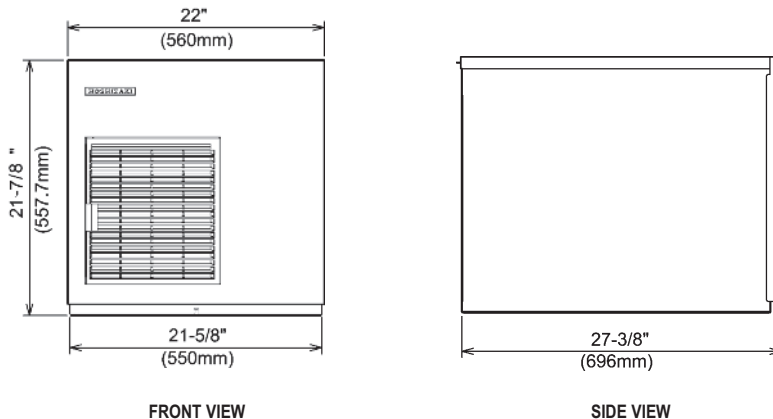
Model Number	Approximate Electrical		KWH per 100 LBS.		Potable Water Gal. per 100 lbs.
	90/70	70/50	90/70	70/50	
F-450MAH	915	858	6.2	4.3	12.0
F-450MAH-C	956	880	7.4	5.0	12.0

## SPECIFICATIONS

Model Number	Condenser	Amperage	Min. Circuit Ampacity	Shipping Weight
F-450MAH	Air-Cooled	11.0	20	175 lbs.
F-450MAH-C	Air-Cooled	11.0	20	175 lbs.

## STORAGE BINS

Model Number	Application Capacity	ARI-Rated Capacity
B-300	300 lbs.	260 lbs.
B-500	500 lbs.	360 lbs.
B-700	700 lbs.	550 lbs.
B-800	800 lbs.	600 lbs.
B-900	900 lbs.	660 lbs.
B-1150	1150 lbs.	N/A
B-1300	1275 lbs.	N/A
B-1500	1490 lbs.	N/A
B-1650	1605 lbs.	N/A



## ELECTRICAL & PLUMBING/F-450MAH(C)

- 115V/60/1
- 20 amp Max Fuse/HACR Breaker Size
- 3/8" OD copper or equivalent independent water supply
- 3/4" FPT independent drain connection



© HOSHIZAKI AMERICA, INC.

618 Hwy. 74 S., Peachtree City, GA 30269

## OPERATING LIMITS

- Ambient Temp Range 45 - 100°F
- Water Temp Range 45 - 90°F
- Water Pressure 10 - 113psig
- Voltage Range 104 - 127V

## SERVICE

- Panels easily removed and all components accessible for service.
- Removable/cleanable air filter (Air-Cooled model only)

TEL 1-800-438-6087

FAX 1-800-345-1325

www.hoshizaki.com

Printed in U.S.A.

