

F-1500M_H

MODULAR FLAKER ICE MACHINE

Item # _____

Project: _____

Qty: _____

*AutoCad available on KCL

F-1500M_H

8/06

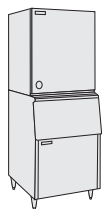
Item # 13161

FLAKER DIMENSIONS

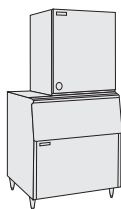
W x D x H

F-1500M_H

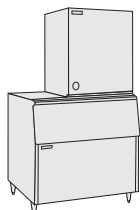
30 x 27^{1/2} x 34^{7/16}



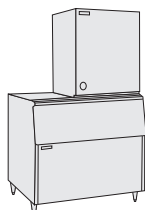
B-500



B-700



B-800



B-900



F-1500MAH

Air-Cooled

Shown on an optional
B-900

F-1500MWH

Water-Cooled

F-1500MRH

Remote Air-Cooled


Also available on Large Bins:

B-1150SS

B-1300SS

B-1500SS

B-1650SS

- Up to 1590 lbs. of ice production per 24 hours
- Durable stainless steel exterior
- CleanCycle I2® Design 
- 15 minute flush cycle every 12 hours
- Removes sediment
- Cleaner ice
- Longer life and easy maintenance
- R-404A Refrigerant



Warranty

Valid in United States, Canada, Puerto Rico, & U.S. Territories. Contact factory for warranty in other countries.

Two Year - Parts & Labor on entire machine.

Five Year - Parts on Compressor, air-cooled condenser coil.



HOSHIZAKI

F-I500M_H FLAKER ICE MACHINE MODULAR SERIES

DIMENSIONS
W x D x H
F-I500M_H
30 x 27^{1/2} x 34^{7/16}

- Air-cooled
- Water-cooled
- Remote Air-cooled

AIR-COOLED

Water Temp° F.	50°	70°	90°
Air Temp° F. 70°	1590	1514	1447
Air Temp° F. 80°	1382	1321	1262
Air Temp° F. 90°	1206	1170	1100

WATER-COOLED

Water Temp° F.	50°	70°	90°
Air Temp° F. 70°	1435	1390	1360
Air Temp° F. 80°	1335	1310	1285
Air Temp° F. 90°	1260	1245	1210

REMOTE AIR-COOLED

Water Temp° F.	50°	70°	90°
Air Temp° F. 70°	1585	1532	1484
Air Temp° F. 80°	1439	1394	1351
Air Temp° F. 90°	1309	1300	1230

UTILITY CONSUMPTION

Model Number	KWH per 100 LBS. 90/70	Potable Water Gal. per 100 lbs.
F-1500MAH	3.83	12.0
F-1500MWH	3.4	12.0
F-1500MRH	3.72	12.0

SPECIFICATIONS

Model Number	Condenser	Amperage	Min. Circuit Ampacity	Shipping Weight
F-1500MAH	Air-Cooled	16.3	20	325 lbs.
F-1500MWH	Water-Cooled	15.9	20	325 lbs.
F-1500MRH	Air-Cooled Remote	18.9	20	325 lbs.

STORAGE BINS

Model Number	Application Capacity	ARI-Rated Capacity
B-500	500 lbs.	360 lbs.
B-700	700 lbs.	550 lbs.
B-800	800 lbs.	600 lbs.
B-900	900 lbs.	660 lbs.
B-1150	1150 lbs.	N/A
B-1300	1275 lbs.	N/A
B-1500	1490 lbs.	N/A
B-1650	1605 lbs.	N/A

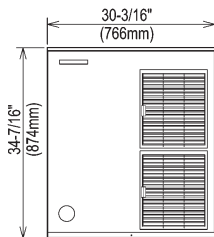
ELECTRICAL & PLUMBING/F-I500M_H

- 208-230V/60/1 (3 wire with dedicated neutral for 115V)
- 1/2" OD copper or equivalent independent potable water supply
- 3/4" FPT independent drain connection

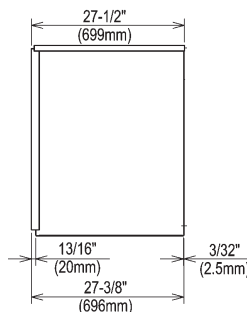


© HOSHIZAKI AMERICA, INC.

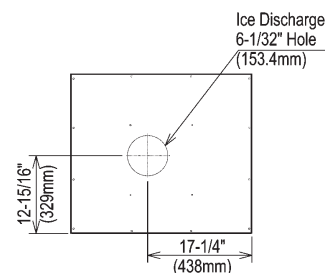
618 Hwy. 74 S., Peachtree City, GA 30269



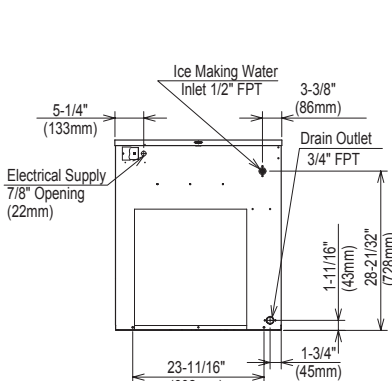
FRONT VIEW



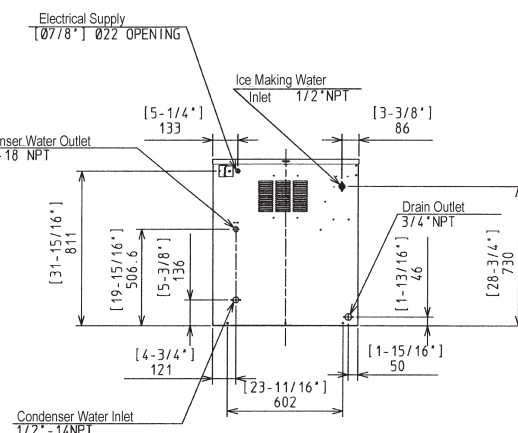
SIDE VIEW



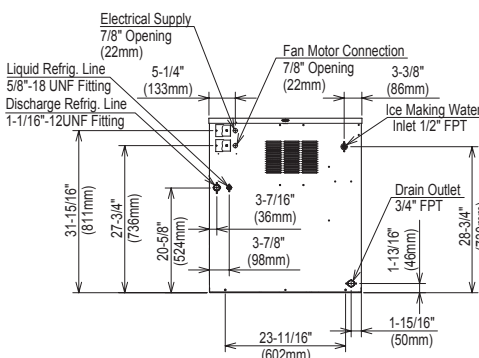
ICE DROP ZONE



AIR-COOLED UNIT

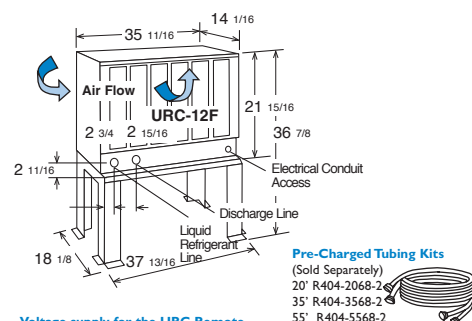


WATER-COOLED UNIT



REMOTE AIR-COOLED UNIT

URC-12F Remote Condenser (Sold Separately)
For Use with F-1500MRH



Voltage supply for the URC Remote Condenser is supplied from the Ice Maker. No additional circuit is required.

Pre-Charged Tubing Kits
(Sold Separately)
20' R404-2068-2
35' R404-3568-2
55' R404-5568-2

OPERATING LIMITS

- Ambient Temp Range 45 - 100°F
- Water Temp Range 45 - 90°F
- Water Pressure 10 - 113psig
- Voltage Range 187 - 253V

SERVICE

- Panels easily removed and all components accessible for service.
- Removable/cleanable air filter. (Air-Cooled models only)

TEL 1-800-438-6087

FAX 1-800-345-1325

www.hoshizaki.com

Printed in U.S.A.

