

# KM-650M\_H

## SLIM-LINE MODULAR CRESCENT CUBER

Item # \_\_\_\_\_

Project: \_\_\_\_\_

Qty: \_\_\_\_\_

\*AutoCad available on KCL

KM-650M\_H

1/08

Item # 13191

### CUBER DIMENSIONS

W x D x H

**KM-650M\_H**

22 x 27<sup>3/8</sup> x 37<sup>7/16</sup>



B-300



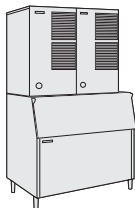
B-500



B-700



B-800



B-900

Also available on Large Bins:

B-1150SS

B-1300SS

B-1500SS

B-1650SS



### KM-650MAH

Air-Cooled

Shown on an optional  
B-300 Bin

### KM-650MWH

Water-Cooled

### KM-650MRH

Remote Air-Cooled

- Up to 680 lbs. of ice production per 24 hours
- Durable stainless steel exterior
- Protected by *HoshiGuard* Antimicrobial Agent **HOSHIGUARD**
- Individual crescent cube
- CycleSaver® Design **CYCLESAYER**
- EverCheck® alert system **evercheck**
- Stainless steel evaporator
- Mount two units side-by-side, in only 44" of floor space, for 1,360 lbs. per 24 hours
- Removable air filters (Air-cooled model only)
- R-404A Refrigerant
- Complies with California Energy Commission guidelines (CEC)

\* The KM-650MRH is ENERGY STAR certified.

### Warranty

Valid in United States, Canada, Puerto Rico, & U.S. Territories. Contact factory for warranty in other countries.

**Three Year** - Parts & Labor on entire machine.

**Five Year** - Parts & Labor on: Evaporator.

**Five Year** - Parts on: Compressor, air-cooled condenser coil.



© HOSHIZAKI AMERICA, INC.

618 Hwy. 74 S., Peachtree City, GA 30269

TEL 1-800-438-6087

FAX 1-800-345-1325

www.hoshizaki.com



# KM-650M\_H SLIM-LINE MODULAR CRESCENT CUBER

**DIMENSIONS**  
W x D x H  
**KM-650M\_H**  
22 x 27<sup>3/8</sup> x 37<sup>7/16</sup>

- Air-cooled
- Water-cooled
- Remote Air-cooled

## AIR-COOLED

Water Temp ° F.	50°	70°	90°	
Air Temp ° F.	70°	589	566	526
80°	572	537	490	
90°	566	<b>512</b>	467	

## WATER-COOLED

Water Temp ° F.	50°	70°	90°	
Air Temp ° F.	70°	680	675	626
80°	676	668	595	
90°	675	<b>662</b>	598	

## AIR-COOLED REMOTE

Water Temp ° F.	50°	70°	90°	
Air Temp ° F.	70°	615	597	556
80°	601	574	523	
90°	597	<b>554</b>	506	

## UTILITY CONSUMPTION

Model Number	Ice Production Per Cycle		KWH per 100 LBS. 90/70	Potable Water Gal. per 100 lbs.	Condenser Water Gal. per 100 lbs.
	Lbs.	Cubes			
KM-650MAH	13.5	720	5.8	21.1	N/A
KM-650MWH	14.8	720	3.8	22.5	112
KM-650MRH	14.1	720	5.4	20.0	N/A

## SPECIFICATIONS

Model Number	Condenser	Amperage	Min. Circuit Ampacity	Shipping Weight
KM-650MAH	Air-Cooled	6.6	15 A	200 lbs.
KM-650MWH	Water-Cooled	5.3	15 A	200 lbs.
KM-650MRH	Remote Air-Cooled	7.1	15 A	200 lbs.

## STORAGE BINS

Model Number	Application Capacity	ARI-Rated Capacity
B-300	300 lbs.	260 lbs.
B-500	500 lbs.	360 lbs.
B-700	700 lbs.	550 lbs.
B-800	800 lbs.	600 lbs.
B-900	900 lbs.	660 lbs.
B-1150	1150 lbs.	N/A
B-1300	1275 lbs.	N/A
B-1500	1490 lbs.	N/A
B-1650	1605 lbs.	N/A

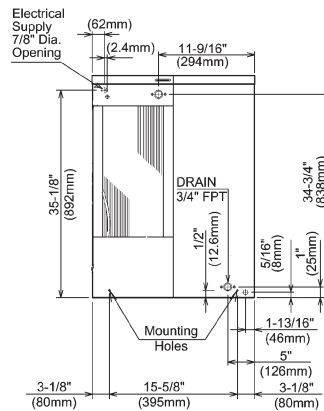
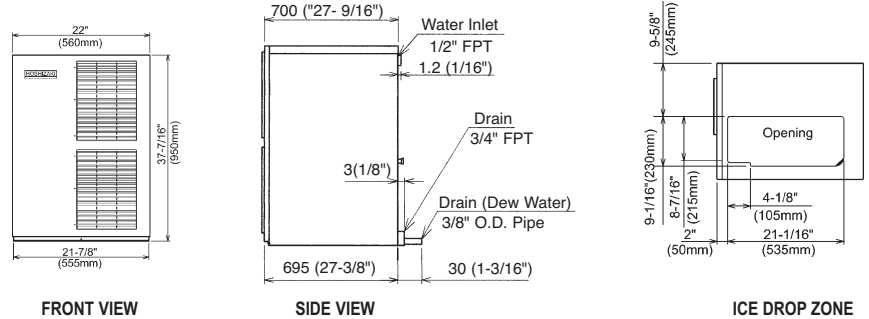
## ELECTRICAL & PLUMBING/KM-650M\_H

- 208-230/60/1 (3 wire with dedicated neutral for 115V)
- 15 Amp Max Fuse/HACR Breaker Size
- 3/8" OD copper or equivalent independent potable water supply
- 3/4" FPT independent drain connection

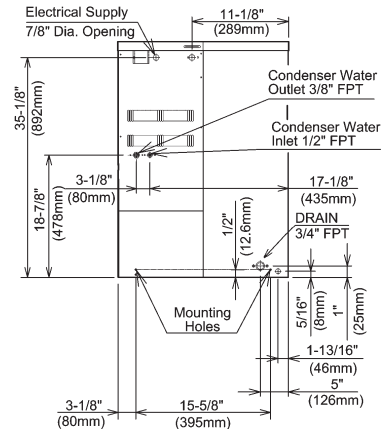


© HOSHIZAKI AMERICA, INC.

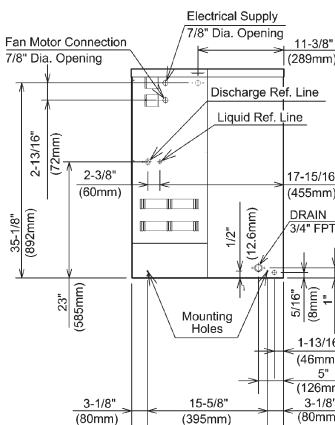
618 Hwy. 74 S., Peachtree City, GA 30269



AIR-COOLED UNIT



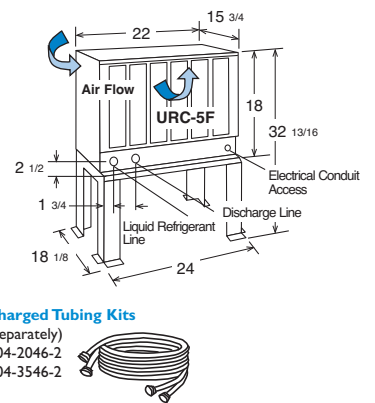
WATER-COOLED UNIT



REMOTE AIR-COOLED UNIT

## URC-5F Remote Condenser (Sold Separately)

Voltage supply for the URC Remote Condenser is supplied from the Ice Maker. No additional circuit is required.



## Pre-Charged Tubing Kits

(Sold Separately)  
20' R404-2046-2  
35' R404-3546-2



## OPERATING LIMITS

- Ambient Temp Range 45 - 100°F
- Water Temp Range 45 - 90°F
- Water Pressure 10 - 113psig
- Voltage Range 187 - 253V

## OPERATING LIMITS/URC-5F

- Ambient Temp Range -20°F - +122°F
- Voltage Range 104 - 127V

## SERVICE

- Panels easily removed and all components accessible for service.
- Removable/cleanable air filters. (Air-cooled model only)

TEL 1-800-438-6087

FAX 1-800-345-1325

www.hoshizaki.com

Printed in U.S.A.

