

# KM-61BAH

## SELF-CONTAINED CUBER WITH BUILT-IN STORAGE BIN

Item # \_\_\_\_\_

Project: \_\_\_\_\_

Qty: \_\_\_\_\_

\*AutoCad available on KCL

KM-61BAH

4/08

Item # 13216

### CUBER DIMENSIONS

W x D x H

**KM-61BAH**



17<sup>3/4</sup> x 24 x 39\*

\* with 6" legs



### KM-61BAH

Air-Cooled  
Shown

- Up to 71 lbs. of ice production per 24 hours
- Up to 38 lbs. of built-in storage capacity
- Individual crescent cube
- Durable stainless steel exterior
- CycleSaver® Design 
- EverCheck® alert system 
- Front in, front out airflow
- Stainless steel evaporator
- Slide in door
- Removable air filter
- Power switch accessible without panel removal
- Built-in installation possible
- R-134a Refrigerant

Distributed By:  
Commercial Refrigeration Service, Inc.  
WWW.IceCubes.NET  
(866) 423-6253  
(623) 869-8881



### Warranty

Valid in United States, Canada, Puerto Rico, & U.S. Territories. Contact factory for warranty in other countries.

**Three Year** - Parts & Labor on entire machine.

**Five Year** - Parts on compressor and air-cooled condenser coil.

**Five Year** - Parts on evaporator.



# SELF-CONTAINED CUBER WITH BUILT-IN STORAGE BIN

**KM-61BAH**

**DIMENSIONS**

W x D x H

**KM-61BAH**  
17<sup>3/4</sup> x 24 x 39\*  
\*with 6" legs

• Air-cooled

**AIR-COOLED**

Water Temp ° F.	50°	70°	90°
Air Temp ° F. 70°	71	65	58
Air Temp ° F. 80°	66	56	51
Air Temp ° F. 90°	65	<b>49</b>	43

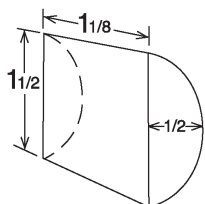
**UTILITY CONSUMPTION**

Model Number	Ice Production Per Cycle		KWH per 100 LBS.	Potable Water Gal. per 100 lbs.	Condenser Water Gal. per 100 lbs.
	Lbs.	Cubes			
KM-61BAH	1.7	80	10.5	20.3	N/A

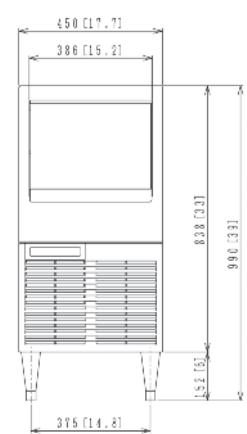
**SPECIFICATIONS**

Model Number	Condenser	Amperage	Min. Circuit Ampacity	Shipping Weight
KM-61BAH	Air-Cooled	3.4	15A	117 lbs.

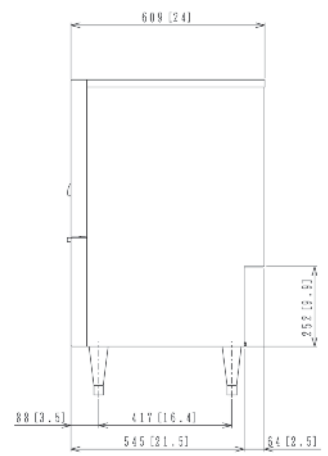
**KM CUBE DIMENSIONS**



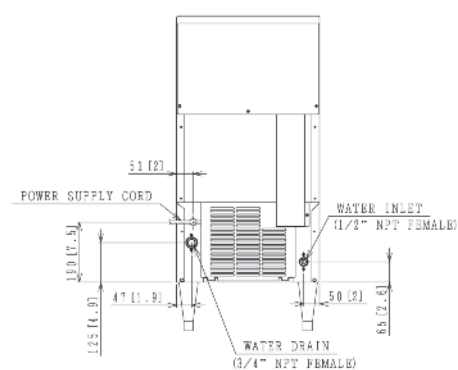
Distributed By:  
Commercial Refrigeration Service, Inc.  
WWW.IceCubes.NET  
(866) 423-6253  
(623) 869-8881



**FRONT DIMENSIONS**



**SIDE DIMENSIONS**



**BACK DIMENSIONS**

**ELECTRICAL & PLUMBING/KM-61BAH**

- 115V/60/1
- 15 amp Max Fuse/HACR Breaker Size
- 3/8" OD copper or equivalent independent potable water supply
- 3/4" independent drain connection
- 1/2" FPT Water Inlet

**OPERATING LIMITS**

- Ambient Temp Range 45 - 100°F
- Water Temp Range 45 - 90°F
- Water Pressure 10 - 113psig
- Voltage Range 104 - 127V



© HOSHIZAKI AMERICA, INC.

618 Hwy. 74 S., Peachtree City, GA 30269

