

# C-100BAE-AD

Item # \_\_\_\_\_

Project: \_\_\_\_\_

Qty: \_\_\_\_\_

\*AutoCad available on KCL

## SELF-CONTAINED CUBELET WITH BUILT-IN STORAGE BIN

C-100BAE-AD

4/08

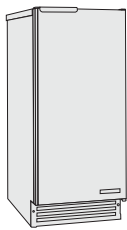
Item # 13219

### CUBELET DIMENSIONS

W x D x H

**C-100BAE-AD**

14<sup>7/8</sup> x 22<sup>5/8</sup> x 31<sup>1/2</sup>



C-100BAE-AD

### C-100BAE-AD

Air-Cooled  
ADA Compliant Unit  
Shown



- Undercounter design is less than 32 inches tall, which complies with the Americans with Disabilities Act (ADA)
- Up to 92 lbs. of ice production per 24 hours
- Durable stainless steel exterior
- UL approval for outdoor use
- Up to 22 lbs. of built-in storage capacity
- Power switch accessible without panel removal
- Easily disassembled water circuit for easy cleaning
- Front in, front out airflow
- Fewer moving parts for longer life
- Swing style reversible door
- Side and top trim kit available
- Optional drain pump HS-0190
- R-134A Refrigerant

Distributed By:  
Commercial Refrigeration Service, Inc.  
<http://www.icecubes.net>  
Toll Free (866) IceMakers  
Phone: 623-869-8881



### Warranty

Valid in United States, Canada, Puerto Rico, & U.S. Territories. Contact factory for warranty in other countries.

**Two Year** - Parts & Labor on entire machine.



# C-100BAE-AD SELF-CONTAINED CUBELET WITH BUILT-IN STORAGE BIN

**DIMENSIONS**  
W x D x H  
**C-100BAE-AD**  
14<sup>7/8</sup> x 22<sup>5/8</sup> x 31<sup>1/2</sup>

- Air-cooled
- ADA compliant

### AIR-COOLED

Water Temp ° F.	50°	70°	90°
Air Temp ° F. 70°	92	89	84
Air Temp ° F. 80°	81	71	66
Air Temp ° F. 90°	66	64	57

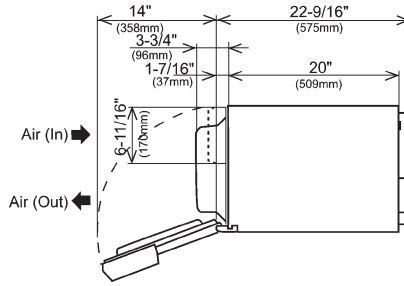
### UTILITY CONSUMPTION (AIR 70°F/WATER 50°F)

Model Number	KWH per 100 LBS.	Potable Water Gal. per 100 lbs.	Condenser Water Gal. per 100 lbs.
C-100BAE-AD	8.0	12.0	N/A

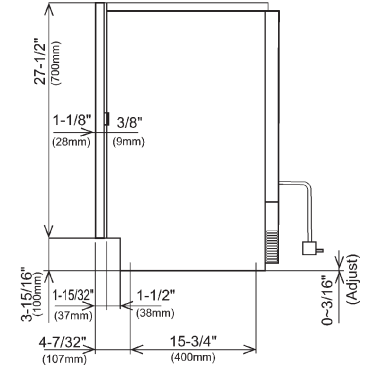
### SPECIFICATIONS

Model Number	Condenser	Amperage	Min. Circuit Ampacity	Shipping Weight
C-100BAE-AD	Air-Cooled	4.0	15	115 lbs.*

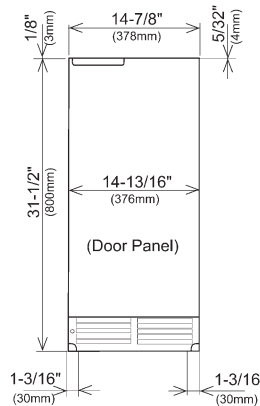
\* Without pallet



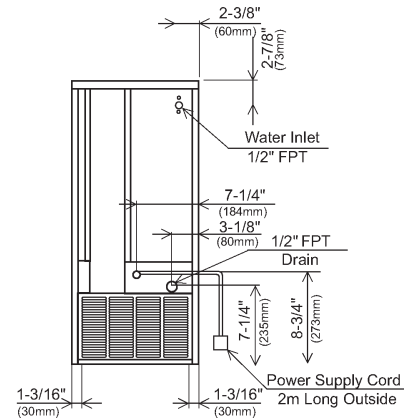
**TOP DIMENSIONS**



**SIDE DIMENSIONS**  
(ADA compliant unit)



**FRONT DIMENSIONS**  
(ADA compliant unit)



**BACK DIMENSIONS**  
(ADA compliant unit)

Distributed By:  
Commercial Refrigeration Service, Inc.  
<http://www.icecubes.net>  
Toll Free (866) IceMakers  
Phone: 623-869-8881

### ELECTRICAL & PLUMBING/C-100BAE-AD

- 115V/60/1
- 15 amp Max Fuse/HACR Breaker Size
- 1/2" FPT Water Inlet
- 1/2" FPT Drain

### OPERATING LIMITS

- Ambient Temp Range 45 - 100°F
- Water Temp Range 45 - 95°F
- Water Pressure 7 - 113psig
- Voltage Range 104 - 127V



© HOSHIZAKI AMERICA, INC.

