

JETRAY

JT 20 TWO FLAVOR SERIES



FEATURES

- Visual display dispensing system creates impulse sales
- Interchangeable three and five gallon bowls (11 and 19 liter) can mix and match to meet variable product demand
- JWT 200 series give you a choice of one or two in-bowl whippers are available on the JWT 200 to serve a variety of whipped and non-carbonated beverages
- Unique pinch tube system dispenses all types of beverages, including those with heavy pulp
- No downtime. Any one bowl can be removed and sanitized while the other operates
- Easy cleaning and maintenance.
- Backed by a worldwide service network

Distributed By:
Commercial Refrigeration Service, Inc.
<http://www.JetsprayParts.COM>
<http://www.IceCubes.NET>
toll free (866) Ice Maker
(623) 869-8881



VISUAL DISPLAY DISPENSER



JT 20 TWO FLAVOR SERIES

SPECIFICATIONS

DESCRIPTION

Model	JT 20	JT20-W25 / JT20-W26 (Export)	JWT 202	JWT202-W25 (Export)
Volts	115V 60 Hz	220/240V 50/60 Hz	115V 60 Hz	220/240V 50 Hz
Watts	645	645	1035	1035
Amps	5.6	2.9	9.5	4.7

DISPENSER DIMENSIONS

	w/large bowls	w/small bowls
Height	26 $\frac{5}{8}$ " (68 cm)	23 $\frac{5}{8}$ " (60 cm)
Width	16" (41 cm)	16" (41 cm)
Depth	17" (43 cm)	17" (43 cm)

CABINETRY

White plastic and stainless steel

BEVERAGE BOWL & COVER

Transparent, virtually unbreakable LEXAN® resin, with U.S. gallon and liter markings

BEVERAGE CAPACITY

Large.....Approx 10 U.S. gallons (38.0 liters)
Small.....Approx 6 U.S. gallons (22.8 liters)

REFRIGERATION

Jet Spray 1/5 H.P. hermetically sealed system R134a

PACKAGING

Packed in 3 cartons, 1 for base and 2 for bowls

NET WEIGHT

JT SERIES	JWT SERIES
52 lbs. (23.6 kg)	58 lbs. (26.4 kg)

SHIPPING WEIGHT

62 lbs. (28.2 kg)	68 lbs. (30.9 kg)
-------------------	-------------------

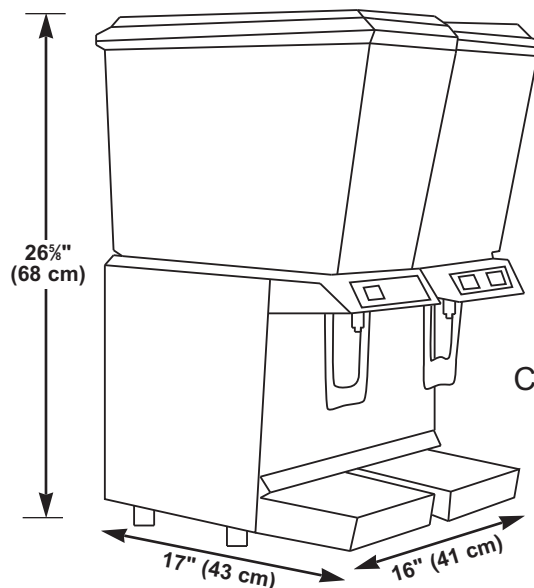
AGENCY LISTINGS



ACCESSORIES



- Circulator adds flexibility for products not suited for spraying. Replace spray system with easy-to-insert device.
- Locking device prevents unauthorized use of dispenser when unattended.
- "Non-cup contact" push handle replaces the standard handle to meet all hygiene and sanitary requirements.
- 4" (10.2 cm) Extension legs available where required.



Distributed By:
Commercial Refrigeration Service, Inc.
<http://www.JetsprayParts.COM>
<http://www.IceCubes.NET>
toll free (866) Ice Maker
(623) 869-8881



For more information or to place an order, contact your sales representative or authorized distributor.

©1999 IMI Cornelius

IMI CORNELIUS FOODSERVICE GROUP

One Cornelius Place
Anoka, MN 55303-6234
Tel: 1-888-248-5568 / 1-630-539-5050
Fax 1-800-344-3801 / 1-630-539-6960