

JETRAY

JS7 SINGLE FLAVOR SERIES



FEATURES

- Visual display dispensing system promotes impulse sales
- The most compact 5-gallon visual display dispenser available. Uses 25% less counter space
- Accommodates jumbo size cups for maximum profits
- JW6...In-bowl whipper converts the dispenser easily from non-carbonated to whipped drinks
- Unique pinch tube system dispenses all types of beverages, including those with heavy pulp
- Constant recirculation of beverage keeps drinks chilled and fresh
- Sleek, modern design and white cabinetry fit into any foodservice environment
- Easy cleaning and maintenance.
- Dispenser is shipped fully assembled, saving on freight and set-up time
- Backed by a worldwide service network

Distributed By:
Commercial Refrigeration Service, Inc.
<http://www.JetsprayParts.COM>
<http://www.IceCubes.NET>
toll free (866) Ice Maker
(623) 869-8881



VISUAL DISPLAY DISPENSER



JS7 SINGLE FLAVOR SERIES

SPECIFICATIONS

DESCRIPTION

| Model | JS7 | JS7-W25 (Export) | JS7-W26 (Export) | JW6 | JW5-W25 (Export) | JW6-W26 (Export) |
|-------|------------|------------------|------------------|------------|------------------|------------------|
| Volts | 115V 60 Hz | 220/240V 50 Hz | 230/208V 60 Hz | 115V 60 Hz | 220/240V 50 Hz | 230/208V 60 Hz |
| Watts | 380 | 380 | 380 | 585 | 585 | 585 |
| Amps | 3.3 | 1.5 | 1.6 | 5.1 | 2.6 | 2.8 |

DISPENSER DIMENSIONS

| | |
|--------|--|
| Height | 26 ⁵ / ₈ " (68 cm) |
| Width | 7 ³ / ₄ " (20 cm) |
| Depth | 17" (43 cm) |

CABINTRY

White plastic and stainless steel

BEVERAGE BOWL & COVER

Transparent, virtually unbreakable LEXAN® resin, with U.S. gallon and liter markings

BEVERAGE CAPACITY

Over 5 U.S. gallons (19.0 liters)

REFRIGERATION

Jet Spray 1/6 H.P. hermetically sealed system R134a

NET WEIGHT

| | |
|---------------------|-------------------|
| JS7/JS7-W25/JS7-W26 | 44 lbs. (20.0 kg) |
| JW6/JW5-W25/JW6-W26 | 47 lbs. (21.4 kg) |

SHIPPING WEIGHT

| | |
|---------------------|-------------------|
| JS7/JS7-W25/JS7-W26 | 52 lbs. (23.6 kg) |
| JW6/JW5-W25/JW6-W26 | 55 lbs. (25.0 kg) |

CARTON VOLUME

4.2 cu. ft. (0.10 cu.m.)

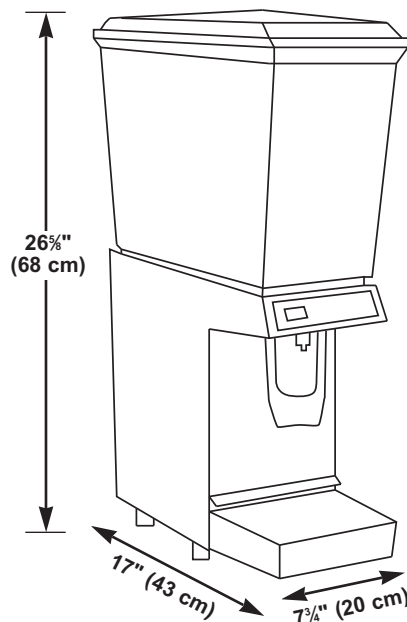
AGENCY LISTINGS



ACCESSORIES



- Circulator adds flexibility for products not suited for spraying. Replace spray system with easy-to-insert device.
- Locking device prevents unauthorized use of dispenser when unattended.
- "Non-cup contact" push handle replaces the standard handle to meet all hygiene and sanitary requirements.
- 4" (10.2 cm) Extension legs available where required.



Distributed By:
 Commercial Refrigeration Service, Inc.
<http://www.JetsprayParts.COM>
<http://www.IceCubes.NET>
 toll free (866) Ice Maker
 (623) 869-8881



For more information or to place an order, contact your sales representative or authorized distributor.

IMI CORNELIUS FOODSERVICE GROUP

One Cornelius Place
 Anoka, MN 55303-6234
 Tel: 1-888-248-5568 / 1-630-539-5050
 Fax 1-800-344-3801 / 1-630-539-6960