

JETRAY

J15 SINGLE FLAVOR



FEATURES

- Fifteen gallon (57 liter) capacity
- Dispensers are ideal for high volume, quick service operations
- Only 16 inches (40.5 cm) wide... maximum profit from a minimum space
- With available circulators can dispense a wide variety of beverages even natural juices that are not suited for spraying
- Self merchandising visual display creates impulse sales
- Available extension legs and tall cup kit can raise unit 4" (10.2 cm) while lowering drip tray...accommodates a cup size up to 64 oz....allows easy cleaning
- Backed by a worldwide service network

Distributed By:
Commercial Refrigeration Service, Inc.
<http://www.JetsprayParts.COM>
<http://www.IceCubes.NET>
toll free (866) Ice Maker
(623) 869-8881



15 - G A L L O N D I S P E N S E R



J15 SINGLE FLAVOR

SPECIFICATIONS

DESCRIPTION

Model	J15	J15-W25 (Export)	J15-W26 (Export)
Volts	115V 60 Hz	220/240V 50 Hz	220V 60 Hz
Watts	645	645	645
Amps	5.7	2.9	2.9

DISPENSER DIMENSIONS

Height	.31" (79 cm)
Width	.16" (41 cm)
Depth	.18" (46 cm)

BEVERAGE BOWL & COVER

Transparent, virtually unbreakable LEXAN® resin

BOWL DIAMETER .20" (50.8 cm)

CABINETRY

White plastic and stainless steel

BEVERAGE CAPACITY

15 U.S. gallons (57 liters)

REFRIGERATION

Jet Spray 1/4 h.p. hermetically sealed system R134A

NET WEIGHT .61 lbs. (28 kg)

SHIPPING WEIGHT

Bowl .17 lbs. (8 kg)

Base .62 lbs. (28 kg)

CARTON VOLUME

Bowl .7.2 cu.ft. (0.20 cu.m.)

Base .3.8 cu. ft. (0.11 cu.m.)

AGENCY LISTINGS



ACCESSORIES

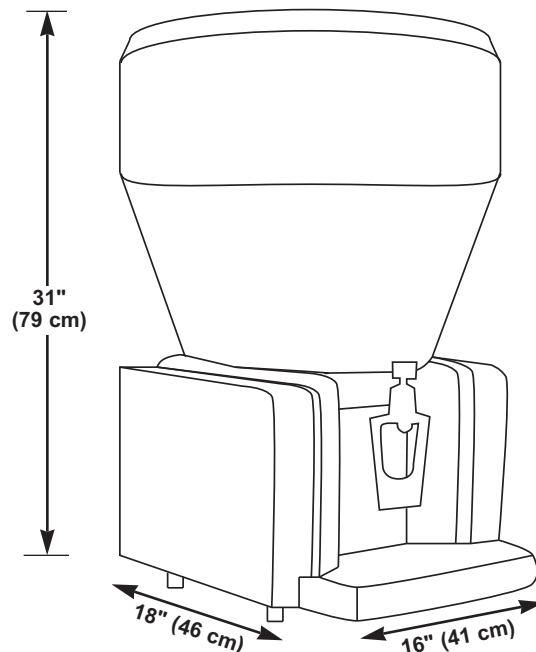


- Circulator adds flexibility for products not suited for spraying. Replace spray system with easy-to-insert device.



- "Non-cup contact" push handle replaces the standard handle to meet all hygiene and sanitary requirements.
- 4" (10.2 cm) Extension legs available where required.

- Locking device prevents unauthorized use of dispenser when unattended.



Distributed By:
Commercial Refrigeration Service, Inc.
<http://www.JetsprayParts.COM>
<http://www.IceCubes.NET>
toll free (866) Ice Maker
(623) 869-8881



For more information or to place an order, contact your sales representative or authorized distributor.

©1999 IMI Cornelius

IMI CORNELIUS FOODSERVICE GROUP

One Cornelius Place
Anoka, MN 55303-6234
Tel: 1-888-248-5568 / 1-630-539-5050
Fax 1-800-344-3801 / 1-630-539-6960