

JETRAY

EJ1 SINGLE FLAVOR



- Eight gallon (30 liter) capacity
- Dispensers are ideal for high volume, quick service operations
- Only 16 inches (40.5 cm) wide... maximum profit from a minimum space
- With available circulators can dispense a wide variety of beverages even natural juices that are not suited for spraying
- Self merchandising visual display creates impulse sales
- Available extension legs and tall cup kit can raise unit 4" (10.2 cm) while lowering drip tray...accommodates a cup size up to 64 oz....allows easy cleaning
- Backed by a worldwide service network

Distributed By:
Commercial Refrigeration Service, Inc.
<http://www.JetsprayParts.COM>
<http://www.IceCubes.NET>
toll free (866) Ice Maker
(623) 869-8881



8 - G A L L O N D I S P E N S E R



EJ1 SINGLE FLAVOR

SPECIFICATIONS

DESCRIPTION

| | | | |
|-------|------------|------------------|------------------|
| Model | EJ1 | EJ1-W25 (Export) | EJ1-W26 (Export) |
| Volts | 115V 60 Hz | 220/240V 50 Hz | 220V 60 Hz |
| Watts | 575 | 575 | 575 |
| Amps | 5.0 | 2.5 | 2.5 |

DISPENSER DIMENSIONS

| | |
|--------|--------------|
| Height | 25½" (64 cm) |
| Width | 16" (41 cm) |
| Depth | 18" (46 cm) |

BEVERAGE BOWL & COVER

Transparent, virtually unbreakable LEXAN® resin

BOWL DIAMETER20" (50.8 cm)

CABINETRY

White plastic and stainless steel

BEVERAGE CAPACITY

8 U.S. gallons (30 liters)

REFRIGERATION

Jet Spray 1/5 h.p. hermetically sealed system R134A

NET WEIGHT58 lbs. (26 kg)

SHIPPING WEIGHT

| | |
|------|-----------------|
| Bowl | 13 lbs. (6 kg) |
| Base | 59 lbs. (27 kg) |

CARTON VOLUME

| | |
|------|--------------------------|
| Bowl | 4.0 cu.ft. (0.112 cu.m.) |
| Base | 3.8 cu. ft. (0.11 cu.m.) |

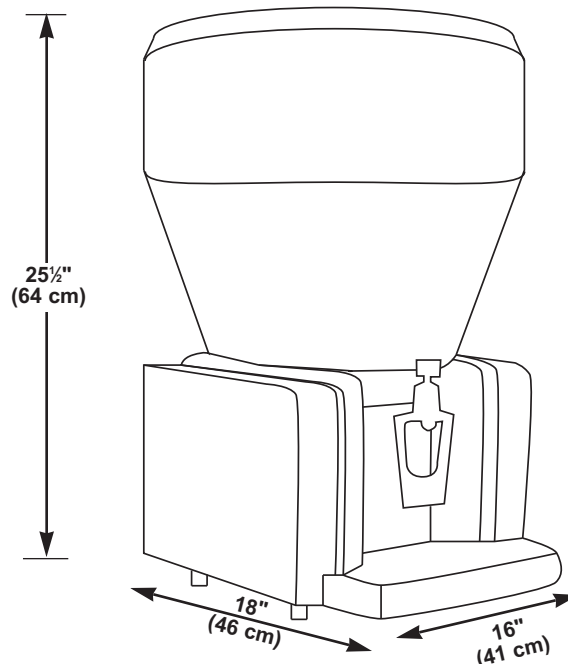
AGENCY LISTINGS



ACCESSORIES



- Circulator adds flexibility for products not suited for spraying. Replace spray system with easy-to-insert device.
- Locking device prevents unauthorized use of dispenser when unattended.
- "Non-cup contact" push handle replaces the standard handle to meet all hygiene and sanitary requirements.
- 4" (10.2 cm) Extension legs available where required.



Distributed By:
 Commercial Refrigeration Service, Inc.
<http://www.JetsprayParts.COM>
<http://www.IceCubes.NET>
 toll free (866) Ice Maker
 (623) 869-8881



For more information or to place an order, contact your sales representative or authorized distributor.

IMI CORNELIUS FOODSERVICE GROUP

One Cornelius Place
 Anoka, MN 55303-6234
 Tel: 1-888-248-5568 / 1-630-539-5050
 Fax 1-800-344-3801 / 1-630-539-6960