

Arctic Air Ice Cream Dipping Freezer

Made in
USA



Shown Model DC15G. See back page for specifications.

Temperature ranges from +10°F to -10°F make these units ideal for ice cream dipping and/or storage.



It's not only easy to see what's inside— it's easy to see why these are such a great buy.

- Durable, white textured steel exterior
- White poly-coated steel interior
- Tempered glass sliding lids
- Temperature range from +10° to -10°F
- Whisper quiet operation
- Extremely energy efficient operation
- Four easy to install, heavy duty casters are standard
- Durable, scratch and chemical resistant acrylic sneeze-guard

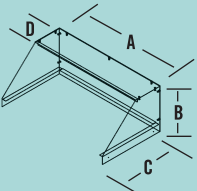
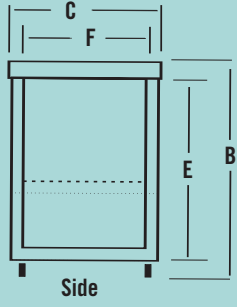
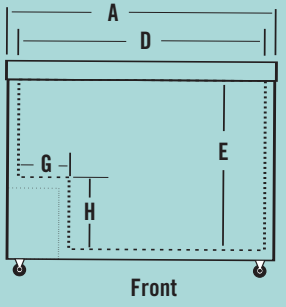


- Sneeze-guard ships unassembled for transportation purposes, but installation is simple and quick
- Unit holds 8 three gallon tubs for dipping and 6 in the bottom (14 tubs total)
- One heavy duty wire basket and four ice cream dipping baskets are included
- Heavy duty pop-out key lock is standard
- Environmentally friendly 134A refrigerant
- Unit ships complete

These quiet, economical Arctic Air Ice Cream Dipping Freezers are made in USA and come with a full warranty: 5 years on compressor, 1 year parts and labor.

Complete Dipping Cabinet	Exterior Dimensions			Interior Dimensions							Cu. Ft.	HP
	Width (A)	Height (B)	Depth (C)	Width (D)	Height (E)	Depth (F)	Width (G)	Height (H)				
DC15G	49"	36.7"	28.5"	42.75"	29.1"	22.5"	9.38"	10.38"	14.8	1/3		

Sneeze-Guard	Width (A)	Height (B)	Depth @ Bottom (C)	Depth @ Top (D)
ASG115	49.38"	16.5"	28.25"	18"



Four ice cream dipping baskets are included.

Sneeze-guard (ASG115) and baskets (216444900-set of 4 or 216777900-single basket) can be purchased as separate pieces.

© 2007 Broich Enterprises. All rights reserved.
Arctic Air Brand and Logo are registered trademarks of Broich Enterprises.
Products and specifications subject to change without prior written notice.



Commercial Freezers & Refrigerators

Division of Broich Enterprises, Inc. 6440 City West Parkway Eden Prairie, MN 55344
952-941-2270 Fax: 952-941-3066 www.arcticairco.com info@arcticairco.com