



IMI CORNELIUS INC.
www.cornelius.com

**Nordic
Model CCM0330, 0430, 0530, 0630
Service Parts Manual
(Includes 50Hz. Units)**



**Distributed By:
Commercial Refrigeration Service, Inc.
WWW.866IceMakers.COM
866-IceMakers
623-869-8881**



Publication Number: 631806058
Revision Date: September 1, 2007
Revision: A

Visit the IMI Cornelius web site at www.cornelius.com for all your Literature needs.

This parts list contains the service parts available for the CCM Series icemakers listed below:

CCM0330 Air and Water Cooled, Includes 50 hz. Models

CCM0430 Air and Water Cooled, Includes 50 hz. Models

CCM0530 Air and Water Cooled, Includes Remote Models

CCM0630 Air and Water Cooled, Includes Remote and 50hz, Models

Check the model number on the data plate and refer to the correct listing for the specific component.

Check carefully that the correct part is identified and ordered.

Table of Contents	Page 1
Cabinet Assembly	Page 2 - 3
Evaporator/Water System	Page 4 - 5
Air Cooled and Top Discharge	Page 6 - 7
Water Cooled	Page 8 - 9
Remote	Page 10 - 11
Control Box	Page 12 - 13
Specific Compressor Components	Page 13
Harvest Assist Assembly	Page 14 - 15
Remote Condenser	Page 16 - 17

E-Mail: tech.service@Cornelius.com

[Website : www.cornelius.com](http://www.cornelius.com)

Telephone Number
800-238-3600 All Departments

The CCM Series Service Manual is available separately, Part Number 631806061

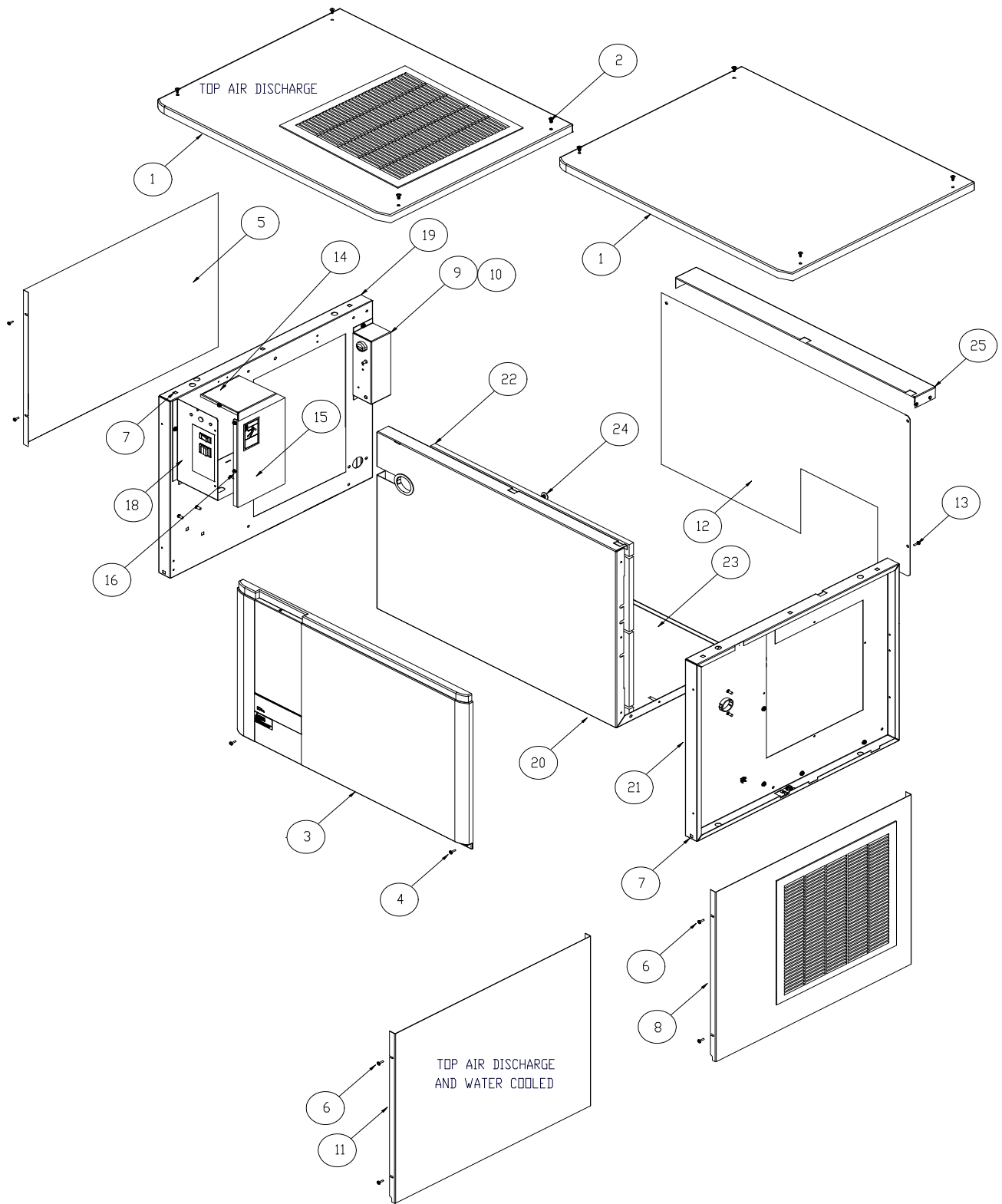
Note: Model Number Suffix Indicates Machine Voltage As Follows:

1=115/60/1

2=208-230/60/1

3=208-230/60/3

5=230/50/1

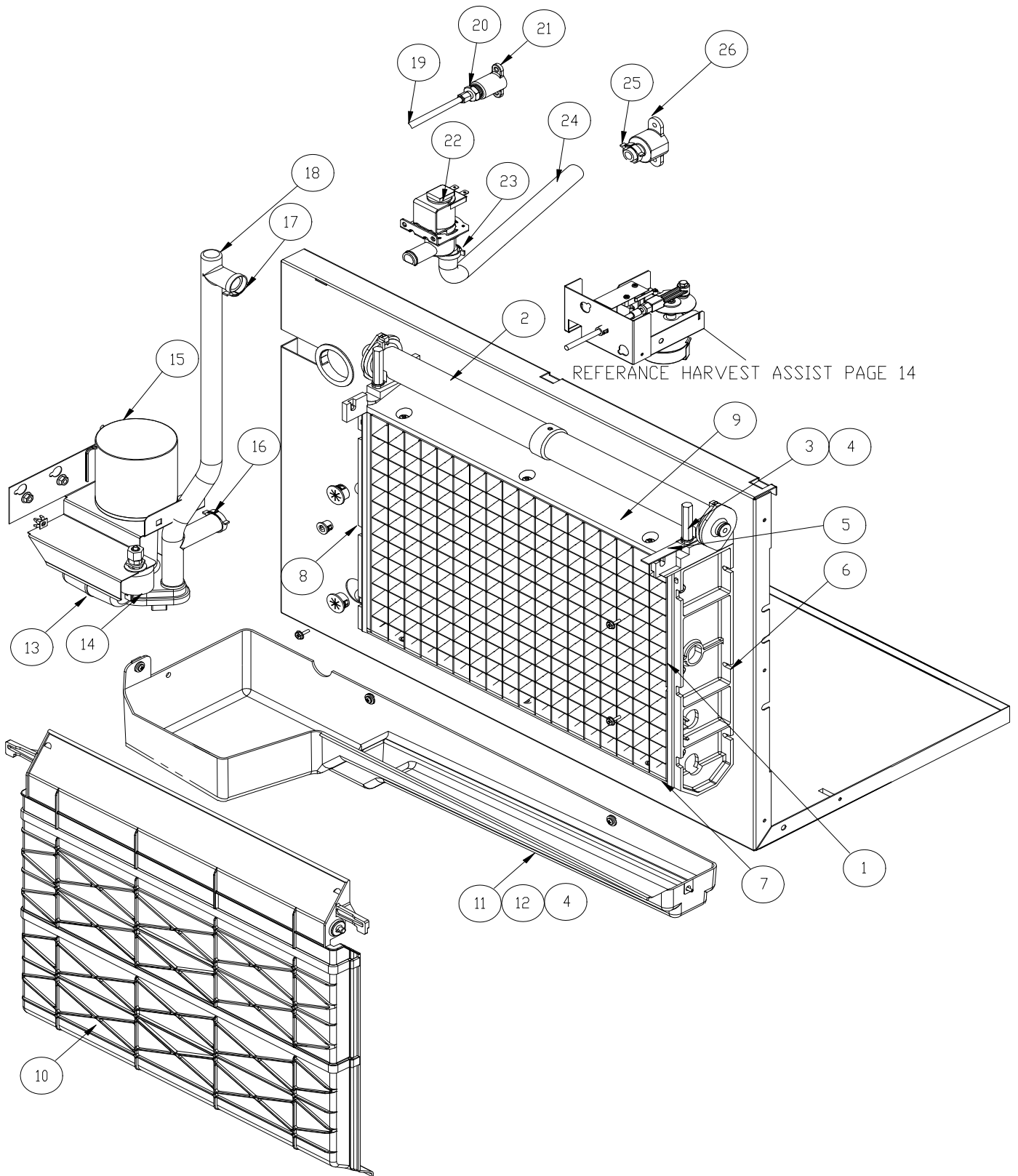


CCM Series Service Parts

Cabinet Assembly

Item No.	Model Number					Description
	CCM0330 1	CCM0430 1	CCM0430 2	CCM0530 1	CCM0630 2	
1	620204320	620204320	620204320	620204320	620204320	Top Panel-Air Cooled
1	620204319	620204319	620204319	620204319	620204319	Top Panel-Top Discharge
1	620204505	620204505	620204505	620204505	620204505	Top Panel-Water Cooled and Remote
2	620204444	620204444	620204444	620204444	620204444	Top Panel Screw
3	620204734	620204734	620204734	620204734	620204734	Front Panel
4	620204444	620204444	620204444	620204444	620204444	Front Panel Screw
5	620204402	620204402	620204402	620204402	620204402	Left Hand Side Panel
6	620204442	620204442	620204442	620204442	620204442	Side Panel Screws
7	620204457	620204457	620204457	620204457	620204457	Plastic Nut Insert
8	620204293	620204293	620204293	620204293	620204293	Right Hand Side Panel-Louvered
9	620204336	620204336	620204336	620204336	620204336	Junction Box Cover
10	620204441	620204441	620204441	620204441	620204441	Junction Box Cover Screw
11	620204401	620204401	620204401	620204401	620204401	Right Hand Side Panel Non-Louvered
12	620204383	620204383	620204383	620204383	620204383	Rear Panel
13	620204441	620204441	620204441	620204441	620204441	Rear Panel Screw
14	620204349	620204349	620204349	620204349	620204349	Control Box Top Cover
15	620204348	620204348	620204348	620204348	620204348	Control Box Side Cover
16	620204441	620204441	620204441	620204441	620204441	Control Box Screws
17	N/A	N/A	N/A	N/A	N/A	Water Trough Support (Not Shown)
18	620204344	620204344	620204344	620204344	620204344	Control Box Front Cover
19	620204735	620204735	620204735	620204735	620204735	Left Hand Frame Side
20	620204736	620204736	620204736	620204736	620204736	Divider Base Assembly
21	620204289	620204289	620204289	620204289	620204289	Right Hand Frame Side
22	620204567	620204567	620204567	620204567	620204567	Insulation
23	620204566	620204566	620204566	620204566	620204566	Insulation
24	620204458	620204458	620204458	620204458	620204458	Retainer "Christmas Tree Clip"
25	620204337	620204337	620204337	620204337	620204337	Brace

Item No.	Model Number 50 Hz.			Description
	CCM0330 5	CCM0430 5	CCM0630 5	
1	620204320	620204320	620204320	Top Panel-Air Cooled
1	620204319	620204319	620204319	Top Panel-Top Discharge
1	620204505	620204505	620204505	Top Panel-Water Cooled and Remote
2	620204444	620204444	620204444	Top Panel Screw
3	620204734	620204734	620204734	Front Panel
4	620204444	620204444	620204444	Front Panel Screw
5	620204402	620204402	620204402	Left Hand Side Panel
6	620204442	620204442	620204442	Side Panel Screws
7	620204457	620204457	620204457	Plastic Nut Insert
8	620204293	620204293	620204293	Right Hand Side Panel-Louvered
9	620204336	620204336	620204336	Junction Box Cover
10	620204441	620204441	620204441	Junction Box Cover Screw
11	620204401	620204401	620204401	Right Hand Side Panel Non-Louvered
12	620204383	620204383	620204383	Rear Panel
13	620204441	620204441	620204441	Rear Panel Screw
14	620204349	620204349	620204349	Control Box Top Cover
15	620204348	620204348	620204348	Control Box Side Cover
16	620204441	620204441	620204441	Control Box Screws
17	N/A	N/A	N/A	Water Trough Support (Not Shown)
18	620204344	620204344	620204344	Control Box Front Cover
19	620204735	620204735	620204735	Left Hand Frame Side
20	620204736	620204736	620204736	Divider Base Assembly
21	620204289	620204289	620204289	Right Hand Frame Side
22	620204567	620204567	620204567	Insulation
23	620204566	620204566	620204566	Insulation
24	620204458	620204458	620204458	Retainer "Christmas Tree Clip"
25	620204337	620204337	620204337	Brace

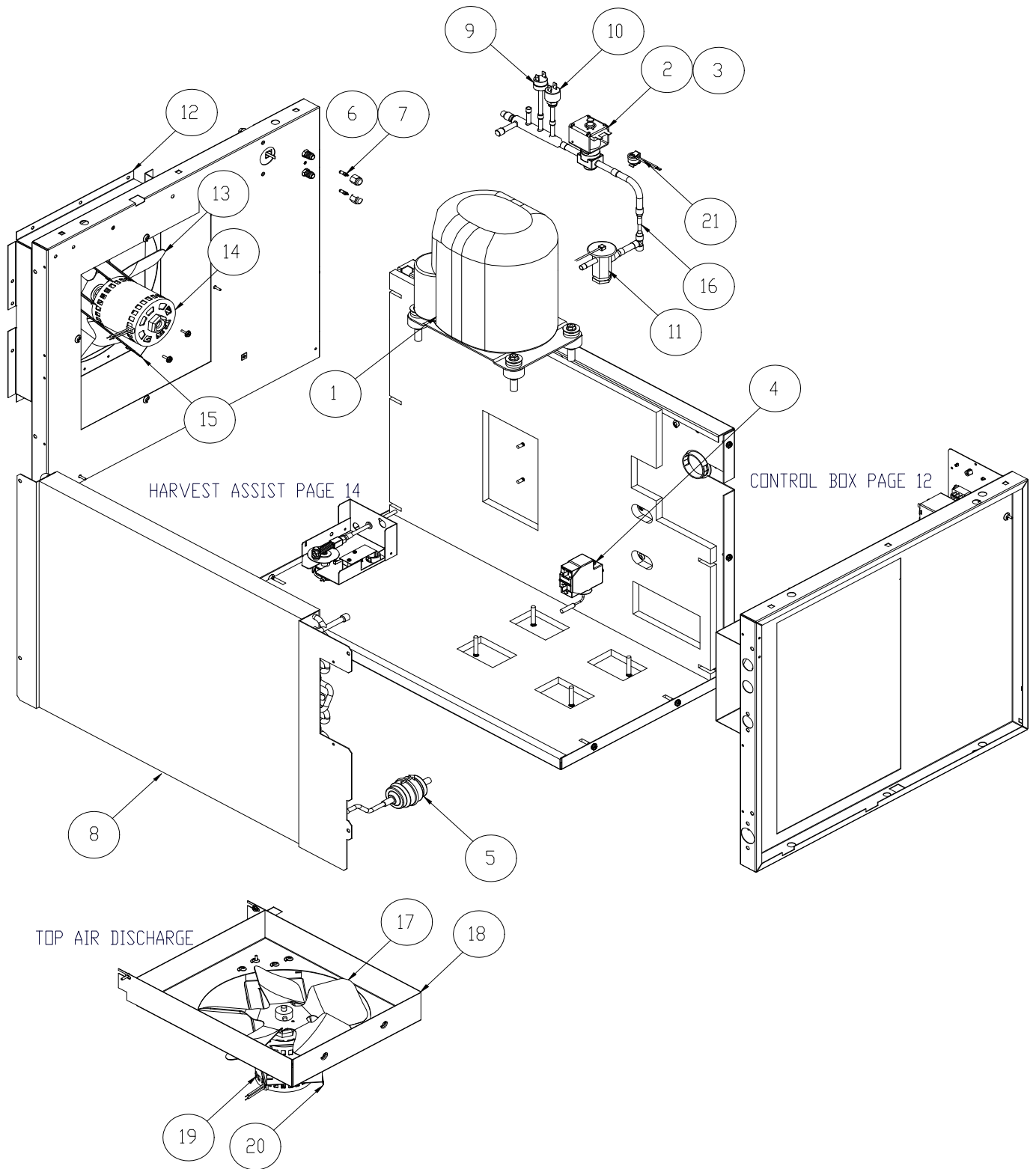


CCM Series Service Parts

Evaporator/Water System

Item No.	Model Number					Description
	CCM0330 1	CCM0430 1	CCM0430 2	CCM0530 1	CCM0630 2	
1	2051156-01	620204300	620204300	620204300	620204300	Evaporator Full Cube
1	2051156-02	620204303	620204303	620204303	620204303	Evaporator Half Cube
2	620204294	620204294	620204294	620204294	620204294	Water Distribution Tube
3	620204456	620204456	620204456	620204456	620204456	Thumb Screw
4	620204429	620204429	620204429	620204429	620204429	Rubber Washer
5	620204340	N/A	N/A	N/A	N/A	Curtain Stopper
6	620204490	620204488	620204488	620204488	620204488	Evaporator Mounting Panel Right Side
7	620204486	620204486	620204486	620204486	620204486	Evaporator Water Return
8	620204489	620204487	620204487	620204487	620204487	Evaporator Mounting Panel Left Side
9	620204737	620204737	620204737	620204737	620204737	Evaporator Spillway
10	620204738	620204492	620204492	620204492	620204492	Evaporator Splash Curtain
11	620204521	620204521	620204521	620204521	620204521	Water Return Trough
12	620204443	620204443	620204443	620204443	620204443	Water Return Trough Screw
13	620204564	620204564	620204564	620204564	620204564	Float
14	620204563	620204563	620204563	620204563	620204563	Caplug (Float Deflector)
15	620204632	620204632	620204633	620204632	620204633	Water Pump
16	620204420	620204420	620204420	620204420	620204420	Clamp
17	620204420	620204420	620204420	620204420	620204420	Clamp
18	620204739	620204491	620204491	620204491	620204491	Water Pump Tube
19	620204404	620204404	620204404	620204404	620204404	Water Float Tubing (26 Inches required)
20	620204533	620204533	620204533	620204533	620204533	Water Inlet Fitting
21	620204530	620204530	620204530	620204530	620204530	Drop Adapter
22	620204740	620204740	620204466	620204740	620204466	Purge Valve
23	620204420	620204420	620204420	620204420	620204420	Clamp
24	620204504	620204504	620204504	620204504	620204504	Purge Drain Hose
25	620204419	620204419	620204419	620204419	620204419	Clamp
26	620204741	620204741	620204741	620204741	620204741	Purge Drain Fitting

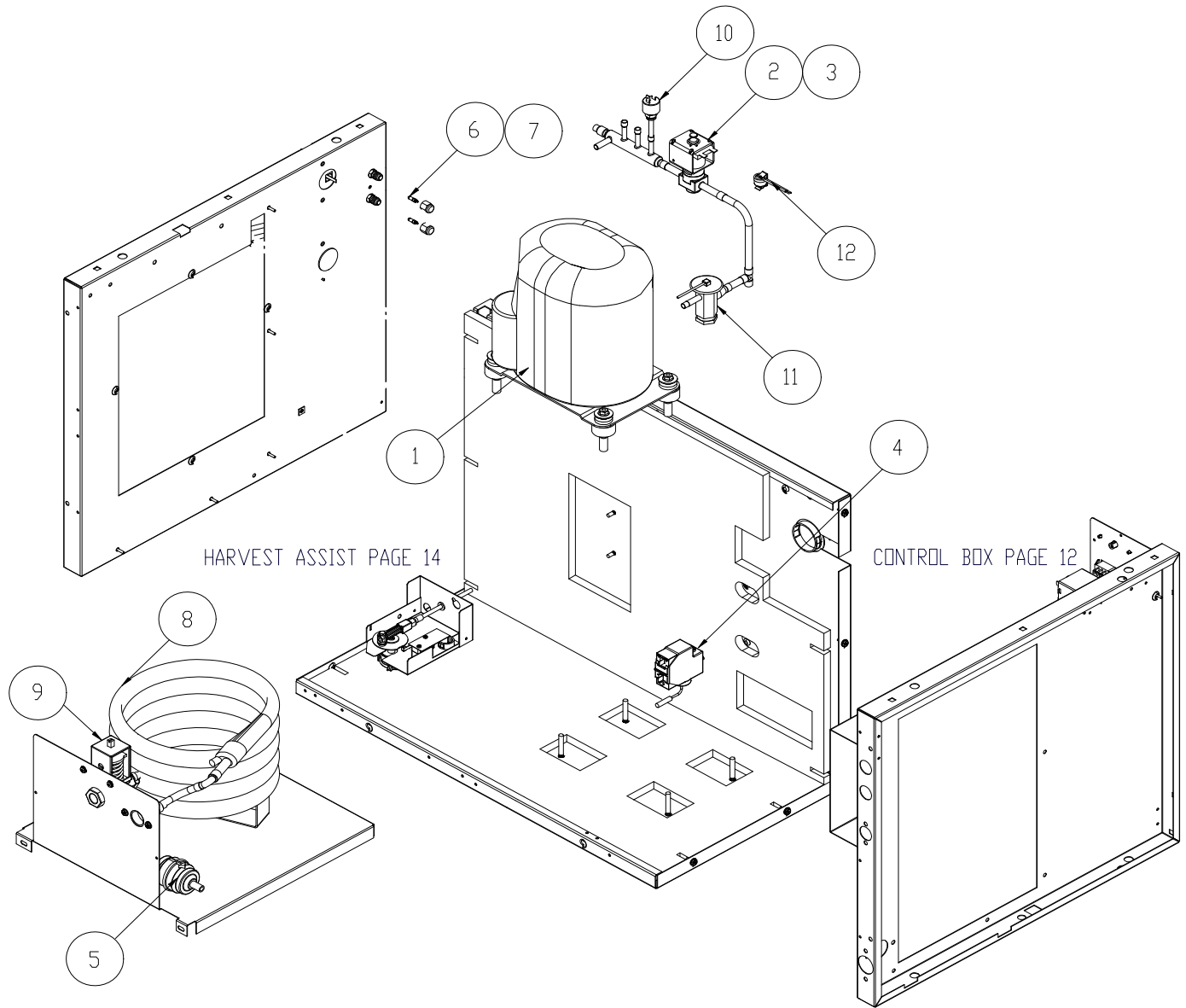
Item No.	Model Number - 50 hz			Description
	CCM0330 5	CCM0430 5	CCM0630 5	
1	620204742	620204300	620204300	Evaporator Full Cube
1	620204743	620204303	620204303	Evaporator Half Cube
2	620204294	620204294	620204294	Water Distribution Tube
3	620204456	620204456	620204456	Thumb Screw
4	620204429	620204429	620204429	Rubber Washer
5	620204340	N/A	N/A	Curtain Stopper
6	620204490	620204488	620204488	Evaporator Mounting Panel Right Side
7	620204486	620204486	620204486	Evaporator Water Return
8	620204489	620204487	620204487	Evaporator Mounting Panel Left Side
9	620204737	620204737	620204737	Evaporator Spillway
10	620204738	620204492	620204492	Evaporator Splash Curtain
11	620204521	620204521	620204521	Water Return Trough
12	620204443	620204443	620204443	Water Return Trough Screw
13	620204564	620204564	620204564	Float
14	620204563	620204563	620204563	Caplug (Float Deflector)
15	620204632	620204632	620204633	Water Pump
16	620204420	620204420	620204420	Clamp
17	620204420	620204420	620204420	Clamp
18	620204739	620204491	620204491	Water Pump Tube
19	620204404	620204404	620204404	Water Float Tubing (26 Inches required)
20	620204533	620204533	620204533	Water Inlet Fitting
21	620204530	620204530	620204530	Drop Adapter
22	620204466	620204466	620204466	Purge Valve
23	620204420	620204420	620204420	Clamp
24	620204504	620204504	620204504	Purge Drain Hose
25	620204419	620204419	620204419	Clamp
26	620204741	620204741	620204741	Purge Drain Fitting



Item No.	Model Number					Description
	CCM0330A 1	CCM0430A 1	CCM0430A 2	CCM0530A 1	CCM0630A 2	
1	620204699	620204699	620204705	620204703	620204704	Compressor Kit
2	620204611	620204611	620204611	620204611	620204611	Hot Gas Valve Body
3	620204613	620204613	620204614	620204613	620204614	Hot Gas Valve Coil
4	620204476	620204476	620204476	620204476	620204476	Low Pressure Control
5	620204601	620204601	620204601	620204601	620204601	Filter Drier
6	620204534	620204534	620204534	620204534	620204534	Service Valve Core
7	620204535	620204535	620204535	620204535	620204535	Service Valve Cap
8	620204588	620204588	620204588	620204594	620204594	Condenser
9	620204478	620204478	620204478	620204478	620204478	Fan Control
10	620204474	620204474	620204474	620204474	620204474	High Pressure Control
11	620204618	620204616	620204616	620204628	620204616	Expansion Valve
12	620204358	620204358	620204358	620204358	620204358	Fan Shroud
13	620204574	620204574	620204574	620204574	620204574	Fan Blade
14	620204640	620204640	620204641	620204640	620204641	Fan Motor
15	620204335	620204335	620204335	620204335	620204335	Fan Motor Bracket
16	620204540	620204540	620204540	620204540	N/A	Restrictor
17	620204574	620204574	620204574	620204574	620204574	Fan Blade (Top Air Discharge)
18	620204338	620204338	620204338	620204338	620204338	Fan Shroud (Top Air Discharge)
19	620204640	620204640	620204641	620204640	620204641	Fan Motor (Top Air Discharge)
20	620204335	620204335	620204335	620204335	620204335	Fan Motor Bracket (Top Air Discharge)
21	620204480	620204480	620204480	620204480	620204480	High Temperature Safety Control

Item No.	Model Number			Description
	CCM0330A 5	CCM0430A 5	CCM0630A 5	
1	620204706	620204706	620204707	Compressor Kit
2	620204611	620204611	620204611	Hot Gas Valve Body
3	620204614	620204614	620204614	Hot Gas Valve Coil
4	620204476	620204476	620204476	Low Pressure Control
5	620204601	620204601	620204601	Filter Drier
6	620204534	620204534	620204534	Service Valve Core
7	620204535	620204535	620204535	Service Valve Cap
8	620204588	620204588	620204594	Condenser
9	620204478	620204478	620204478	Fan Control
10	620204474	620204474	620204474	High Pressure Control
11	620204618	620204616	620204616	Expansion Valve
12	620204358	620204358	620204358	Fan Shroud
13	620204577	620204577	620204577	Fan Blade
14	620204636	620204636	620204636	Fan Motor
15	620204286	620204286	620204744	Fan Motor Bracket
16	N/A	620204540	N/A	Restrictor
17	N/A	N/A	N/A	Fan Blade (Top Air Discharge)
18	N/A	N/A	N/A	Fan Shroud (Top Air Discharge)
19	N/A	N/A	N/A	Fan Motor (Top Air Discharge)
20	N/A	N/A	N/A	Fan Motor Bracket (Top Air Discharge)
21	620204480	620204480	620204480	High Temperature Safety Control

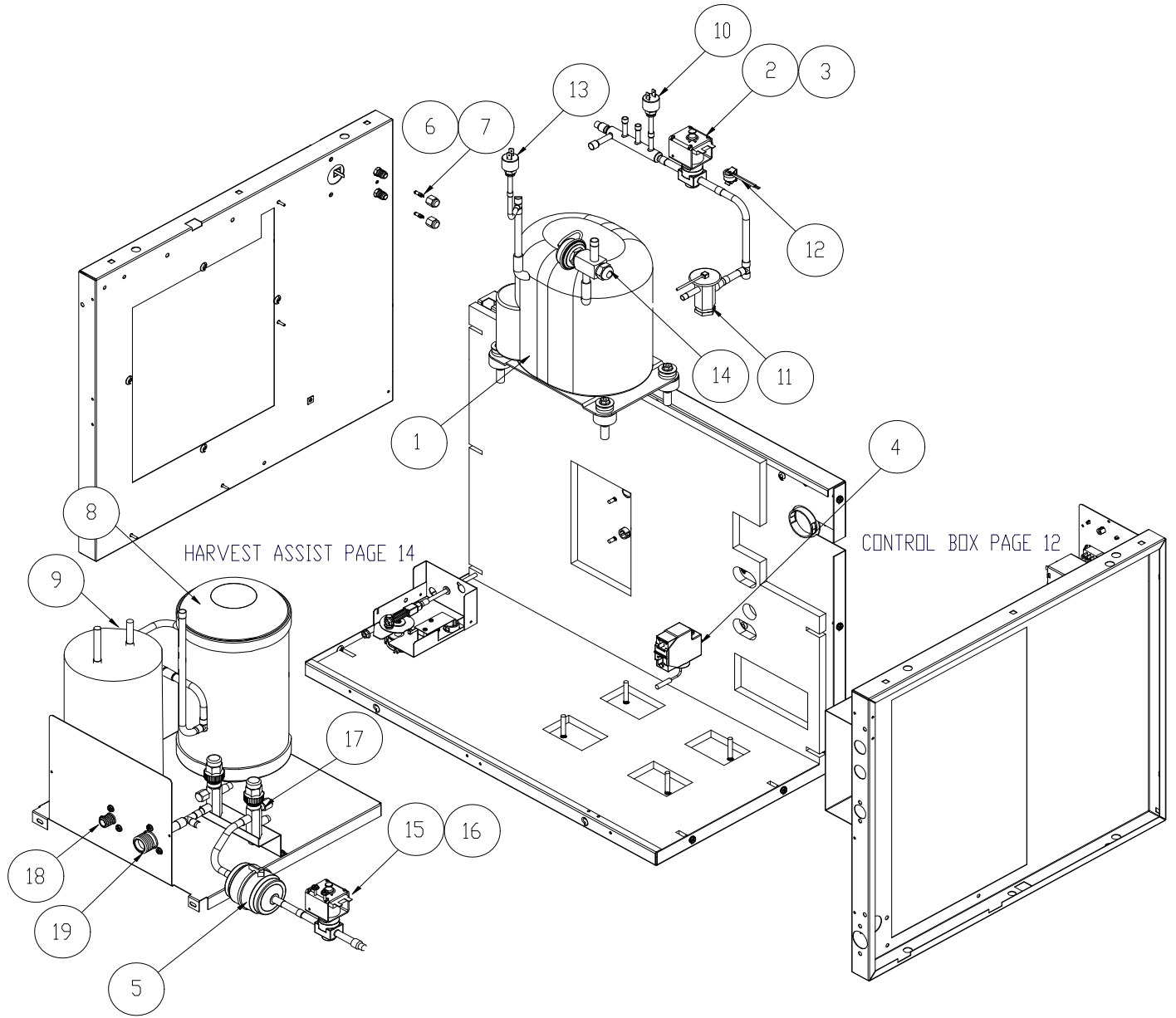
Distributed By:
Commercial Refrigeration Service, Inc.
WWW.866IceMakers.COM
866-IceMakers
623-869-8881



Item No.	Model Number					Description
	CCM0330W 1	CCM0430W 1	CCM0430W 2	CCM0530W 1	CCM0630W 2	
1	620204699	620204699	620204705	620204703	620204704	Compressor
2	620204611	620204611	620204611	620204611	620204612	Hot Gas Valve Body
3	620204613	620204613	620204614	620204613	620204614	Hot Gas Valve Coil
4	620204476	620204476	620204476	620204476	620204476	Low Pressure Control
5	620204601	620204601	620204601	620204601	620204601	Filter Drier
6	620204534	620204534	620204534	620204534	620204534	Service Valve Core
7	620204535	620204535	620204535	620204535	620204535	Service Valve Cap
8	620204586	620204584	620204584	620204585	620204585	Condenser
9	620204465	620204465	620204465	620204465	620204465	Water Valve
10	620204474	620204474	620204474	620204474	620204474	High Pressure Control
11	620204618	620204616	620204616	620204628	620204616	Expansion Valve
12	620204480	620204480	620204480	620204480	620204480	High Temperature Safety Control

Item No.	Model Number			Description
	CCM0330W 5	CCM0430W 5	CCM0630W 5	
1	620204706	620204706	620204707	Compressor
2	620204611	620204611	620204611	Hot Gas Valve Body
3	620204614	620204614	620204614	Hot Gas Valve Coil
4	620204476	620204476	620204476	Low Pressure Control
5	620204601	620204601	620204601	Filter Drier
6	620204534	620204534	620204534	Service Valve Core
7	620204535	620204535	620204535	Service Valve Cap
8	620204586	620204584	620204585	Condenser
9	620204465	620204465	620204465	Water Valve
10	620204474	620204474	620204474	High Pressure Control
11	620204618	620204616	620204616	Expansion Valve
12	620204480	620204480	620204480	High Temperature Safety Control

Distributed By:
Commercial Refrigeration Service, Inc.
WWW.866IceMakers.COM
866-IceMakers
623-869-8881



Item No.	Model Number					Description
	CCM0330	CCM0430	CCM04302	CCM0530R 1	CCM0630R 2	
1	N/A	N/A	N/A	620204703	620204704	Compressor
2	N/A	N/A	N/A	620204611	620204611	Hot Gas Valve Body
3	N/A	N/A	N/A	620204613	620204614	Hot Gas Valve Coil
4	N/A	N/A	N/A	620204476	620204476	Low Pressure Control
5	N/A	N/A	N/A	620204603	620204603	Filter Drier
6	N/A	N/A	N/A	620204534	620204534	Service Valve Core
7	N/A	N/A	N/A	620204535	620204535	Service Valve Cap
8	N/A	N/A	N/A	620204607	620204607	Receiver
9	N/A	N/A	N/A	620204316	N/A	Accumulator
10	N/A	N/A	N/A	620204474	620204474	High Pressure Control
11	N/A	N/A	N/A	620204628	620204616	Expansion Valve
12	N/A	N/A	N/A	620204480	620204480	High Temperature Safety Control
13	N/A	N/A	N/A	620204475	620204475	Pump Down Control
14	N/A	N/A	N/A	620204608	N/A	Crankcase Pressure Regulator
15	N/A	N/A	N/A	620204612	620204612	Liquid Line Solenoid Body
16	N/A	N/A	N/A	620204613	620204614	Liquid Line Solenoid Coil
17	N/A	N/A	N/A	620204541	620204541	Valve-Shut Off
18	N/A	N/A	N/A	620204526	620204526	Remote Fitting 3/8 Male
19	N/A	N/A	N/A	620204527	620204527	Remote Fitting 1/2 Male
20	N/A	N/A	N/A	620204623	620204623	Check Valve

Item No.	Model Number			Description
	CCM03305	CCM04305	CCM0630R 5	
1	N/A	N/A	620204707	Compressor
2	N/A	N/A	620204611	Hot Gas Valve Body
3	N/A	N/A	620204614	Hot Gas Valve Coil
4	N/A	N/A	620204476	Low Pressure Control
5	N/A	N/A	620204603	Filter Drier
6	N/A	N/A	620204534	Service Valve Core
7	N/A	N/A	620204535	Service Valve Cap
8	N/A	N/A	620204607	Receiver
9	N/A	N/A	N/A	Accumulator
10	N/A	N/A	620204474	High Pressure Control
11	N/A	N/A	620204616	Expansion Valve
12	N/A	N/A	620204480	High Temperature Safety Control
13	N/A	N/A	620204475	Pump Down Control
14	N/A	N/A	N/A	Crankcase Pressure Regulator
15	N/A	N/A	620204612	Liquid Line Solenoid Body
16	N/A	N/A	620204614	Liquid Line Solenoid Coil
17	N/A	N/A	620204541	Valve-Shut Off
18	N/A	N/A	620204526	Remote Fitting 3/8 Male
19	N/A	N/A	620204527	Remote Fitting 1/2 Male
20	N/A	N/A	620204623	Check Valve

Item No.	Model Number					Description
	CCM0330 1	CCM0430 1	CCM0430 2	CCM0530 1	CCM0630 2	
1	620204553	620204553	620204553	620204553	620204553	Purge Switch
2	620204557	620204557	620204557	620204557	620204557	ON-OFF-WASH Switch
3	620204548	620204548	620204548	620204548	620204548	Relay Socket
4	620204550	620204550	620204551	620204550	620204551	Relay
5	620204559	620204559	620204559	620204559	620204559	Water Pump Cord
6	620204546	620204543	620204544	620204543	620204544	Contactora
7	620204660	620204679	620204746	620204678	620204676	Compressor Start Relay
8	620204656	620204656	620204659	620204657	620204651	Start Capacitor
9	N/A	N/A	620204667	620204669	620204672	Run Capacitor
10	620204555	620204555	620204555	620204555	620204555	Timer
11	620204476	620204476	620204476	620204476	620204476	Low Pressure Timer Initiate
12	620204310	620204310	620204310	620204310	620204310	Curtain Switch Assembly
13	620204552	620204552	620204552	620204552	620204552	Curtain Switch

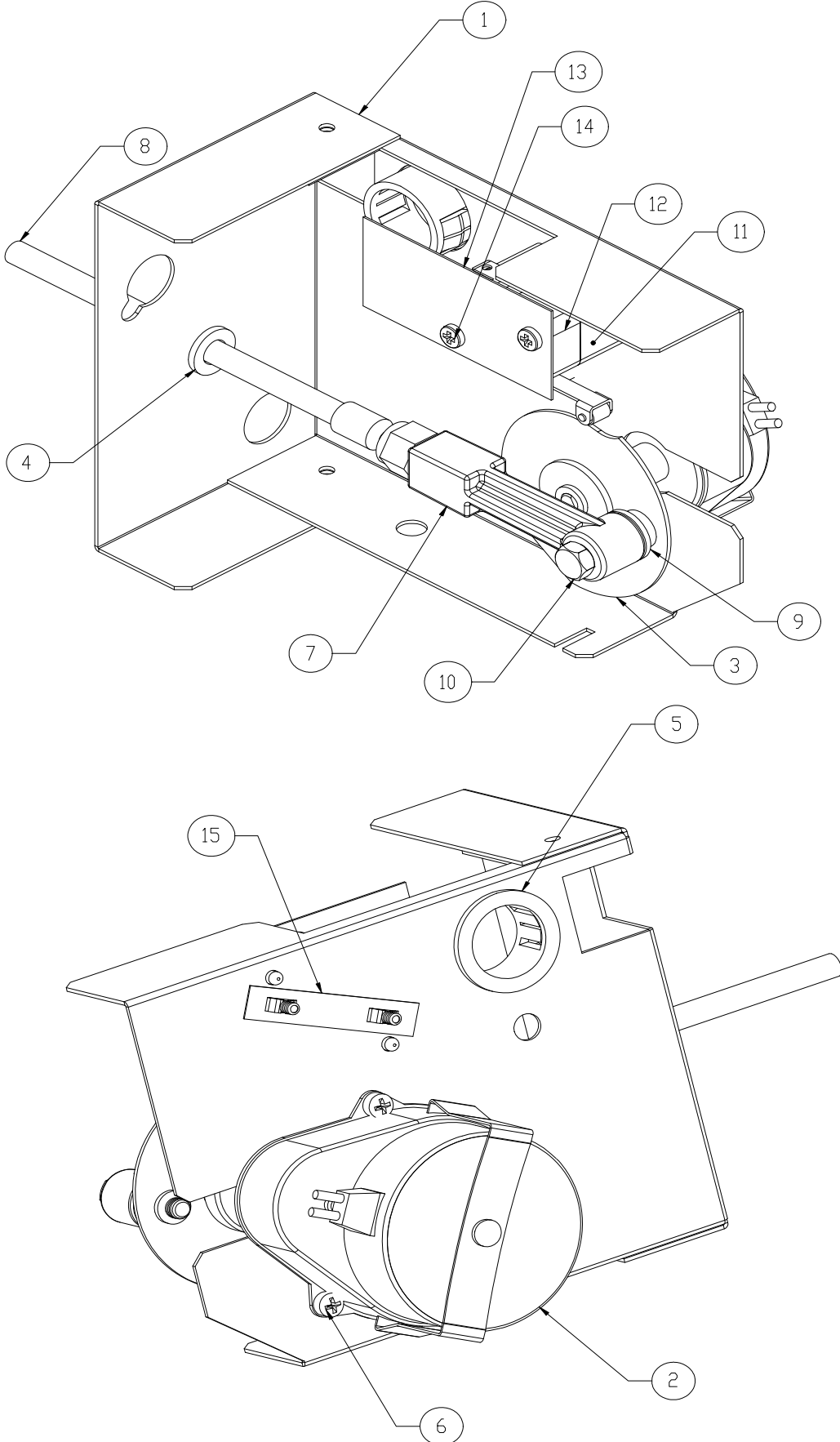
Item No.	Model Number 50 HZ.			Description
	CCM0330 5	CCM0430 5	CCM0630 5	
1	620204553	620204553	620204553	Purge Switch
2	620204557	620204557	620204557	ON-OFF-WASH Switch
3	620204548	620204548	620204548	Relay Socket
4	620204551	620204551	620204551	Relay
5	620204559	620204559	620204559	Water Pump Cord
6	620204544	620204544	620204544	Contactora
7	620204745	620204745	620204676	Compressor Start Relay
8	620204659	620204659	620204658	Start Capacitor
9	N/A	N/A	620204673	Run Capacitor
10	620204555	620204555	620204555	Timer
11	620204476	620204476	620204476	Low Pressure Timer Initiate
12	620204310	620204310	620204310	Curtain Switch Assembly
13	620204552	620204552	620204552	Curtain Switch

Compressor Components

Model Number					
CCM0330 1	CCM0430 1	CCM0430 2	CCM0530 1	CCM0630 2	Description
620204699	620204699	620204705	620204703	620204704	Compressor
620204663	620204663	620204666	620204665	Internal	Overload
620204660	620204660	620204682	620204681	620204676	Relay
620204656	620204656	620204659	620204657	620204651	Start Capacitor
N/A	N/A	620204667	620204669	620204672	Run Capacitor

Model Number			
CCM0330 5	CCM0430 5	CCM0630 5	Description
620204706	620204706	620204707	Compressor
620204666	620204666	Internal	Overload
620204683	620204683	620204676	Relay
620204659	620204659	620204658	Start Capacitor
620204667	620204667	620204673	Run Capacitor

Distributed By:
Commercial Refrigeration Service, Inc.
WWW.866IceMakers.COM
866-IceMakers
623-869-8881



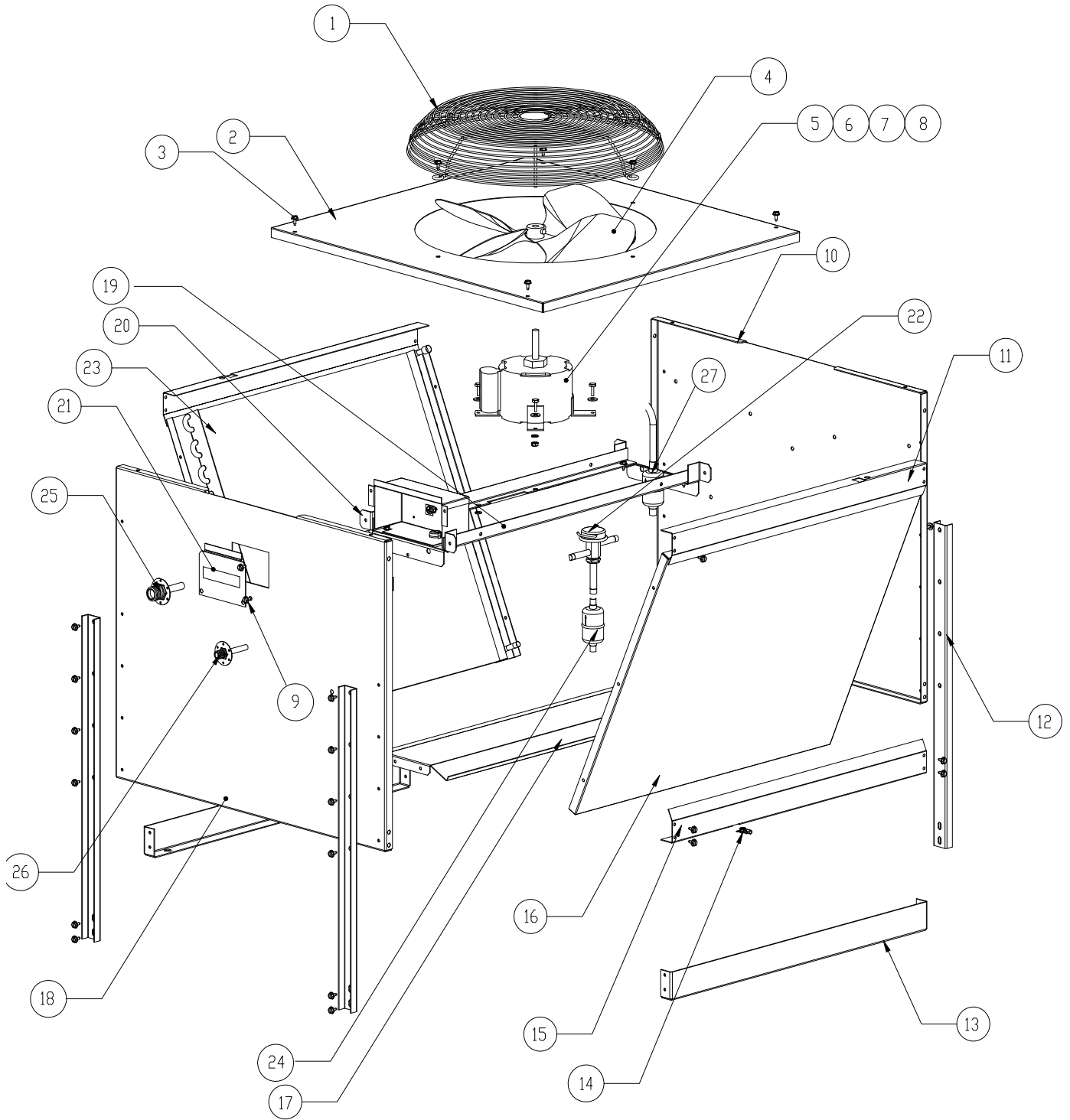
CCM Series Service Parts

Harvest Assist Assembly

Item No.	Model Number					Description
	CCM0330 1	CCM0430 1	CCM0430 2	CCM0530 1	CCM0630 2	
1	620204366	620204366	620204366	620204366	620204366	Bracket, Probe Motor
2	620204630	620204630	620204631	620204630	620204631	Gear Motor
3	620204569	620204569	620204569	620204569	620204569	Clutch Assembly 180 Degree
4	620204483	620204483	620204483	620204483	620204483	Snap Bushing
5	620204481	620204481	620204481	620204481	620204481	Snap Bushing
6	620204439	620204439	620204439	620204439	620204439	#6-32 x 1/2 Fillister Head Screw
7	620204484	620204484	620204484	620204484	620204484	Connecting Rod
8	620204424	620204424	620204424	620204424	620204424	Probe, Single Length
9	620204427	620204427	620204427	620204427	620204427	Plain Flat Washer
10	620204451	620204451	620204451	620204451	620204451	Shoulder Screw
11	620204516	620204516	620204516	620204516	620204516	Spacer, Cam Switch
12	620204556	620204556	620204556	620204556	620204556	Cam Switch
13	620204407	620204407	620204407	620204407	620204407	Insulator, Switch
14	620204434	620204434	620204434	620204434	620204434	Pan Head Machine Screw
15	620204452	620204452	620204452	620204452	620204452	Speed Nut Plate
	620204311	620204311	620204312	620204311	620204312	Complete Assembly

Item No.	Model Number			Description
	CCM0330 5	CCM0430 5	CCM0630 5	
1	620204366	620204366	620204366	Bracket, Probe Motor
2	620204631	620204631	620204631	Gear Motor
3	620204569	620204569	620204569	Clutch Assembly 180 Degree
4	620204483	620204483	620204483	Snap Bushing
5	620204481	620204481	620204481	Snap Bushing
6	620204439	620204439	620204439	#6-32 x 1/2 Fillister Head Screw
7	620204484	620204484	620204484	Connecting Rod
8	620204424	620204424	620204424	Probe, Single Length
9	620204427	620204427	620204427	Plain Flat Washer
10	620204451	620204451	620204451	Shoulder Screw
11	620204516	620204516	620204516	Spacer, Cam Switch
12	620204556	620204556	620204556	Cam Switch
13	620204407	620204407	620204407	Insulator, Switch
14	620204434	620204434	620204434	Pan Head Machine Screw
15	620204452	620204452	620204452	Speed Nut Plate
	620204312	620204312	620204312	Complete Assembly

Distributed By:
Commercial Refrigeration Service, Inc.
WWW.866IceMakers.COM
866-IceMakers
623-869-8881



Item No.	Model Number		Description
	RC05001	RC06002	
1	620204581	620204581	Fan Guard
2	620204369	620204369	Top Panel
3	620204436	620204436	1/4-20 x 1/2 Screw
4	620204580	620204580	Fan Blade
5	620204647	620204646	Fan Motor
6	620204425	620204425	1/4-20 x 3/4 Cap Screw
7	620204426	620204426	Flat Washer
8	620204448	620204448	Flanged Lock Nut 1/4-20
9	620204436	620204436	1/4-20 x 1/2 Screw
10	620204371	620204371	Rear Panel
11	620204373	620204373	Brace
12	620204374	620204374	Leg
13	620204375	620204375	Leg Brace
14	N/A	N/A	T-Nut-Shipping Only
15	620204373	620204373	Brace
16	620204477	620204477	Cover Panel
17	620204372	620204372	Center Panel
18	620204370	620204370	Front Panel
19	620204379	620204379	Motor Brace
20	620204378	620204378	Motor Brace Support
21	620204376	620204376	Junction Box Cover
22	620204625	620204625	Head Pressure Control Valve
23	620204600	620204600	Condenser
24	620204626	620204626	Filter
25	620204527	620204527	1/2 Coupling
26	620204526	620204526	3/8 Coupling
27	620204627	620204627	Filter

CCM05306 1 CCM0630R 2
CCM0630R 5

Distributed By:
Commercial Refrigeration Service, Inc.
WWW.866IceMakers.COM
866-IceMakers
623-869-8881