



IMI CORNELIUS INC.
www.cornelius.com

**Nordic
Model CCM0830, 1030
Service Parts Manual
(Includes 50Hz. Units)**



Distributed By:
Commercial Refrigeration Service, Inc.
WWW.866IceMakers.COM
866-IceMakers
623-869-8881



Publication Number: 631806059
Revision Date: November 1, 2007
Revision: A

Visit the IMI Cornelius web site at www.cornelius.com for all your Literature needs.

CCM Series Service Parts

This parts list contains the service parts available for the CCM Series icemakers listed below.

CCM0830 Air and Water Cooled, Includes Remotes and 50hz. Models
CCM1030 Air and Water Cooled, Includes Remotes and 50hz. Models

Check the model number on the data plate and refer to the correct listing for the specific component.

Check carefully that the correct part is identified and ordered.

Table of Contents	Page 1
Exterior Components	Page 2 - 3
Interior Components-Front View	Page 4 - 5
Air Cooled	Page 6 - 7
Water Cooled	Page 8 - 9
Remote	Page 10 - 11
Control Box	Page 12 - 13
Specific Compressor Components	Page 13
Harvest Assist Assembly	Page 14 - 15
Remote Condenser	Page 16 - 17

E-Mail: tech.service@Cornelius.com

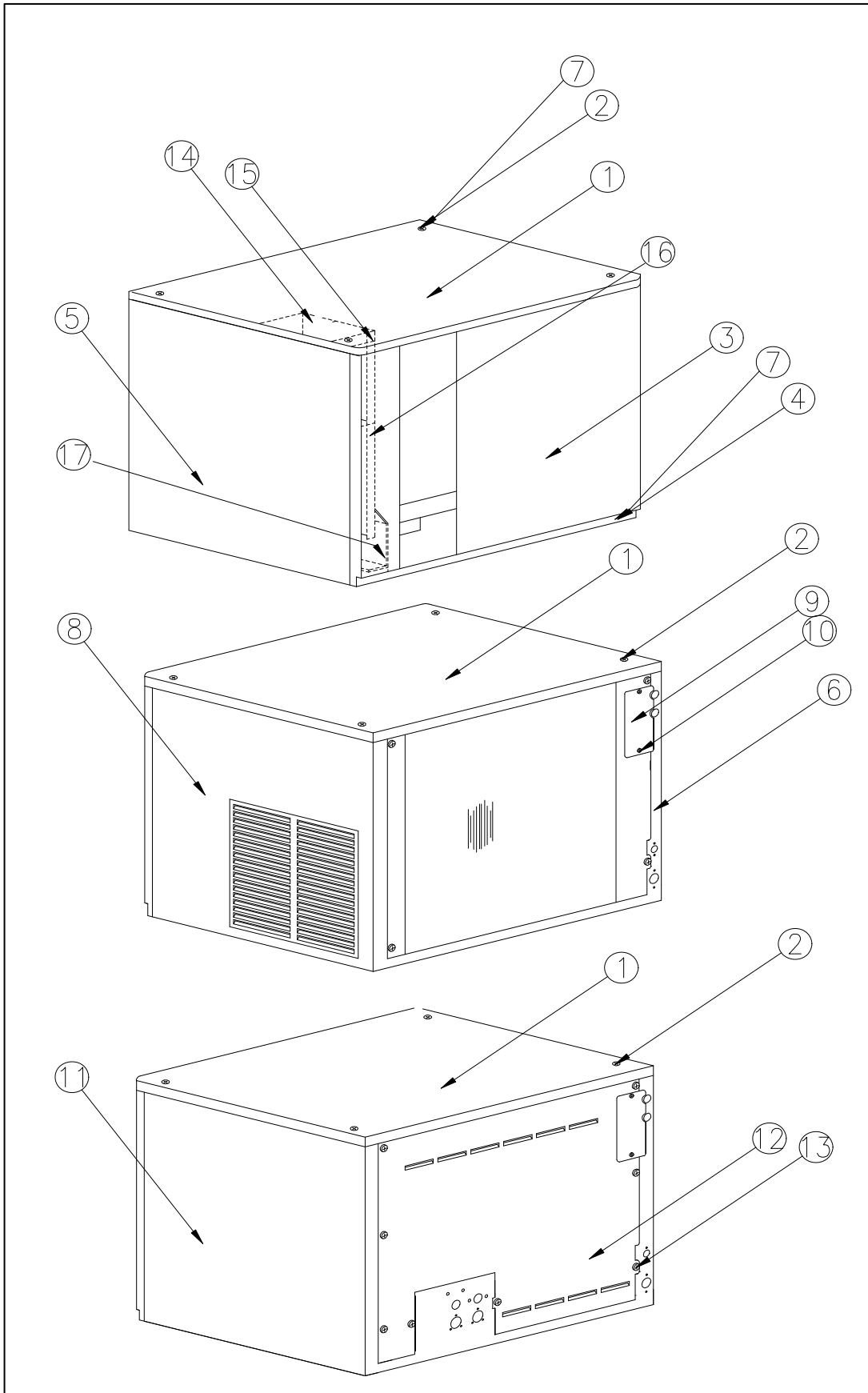
Website : www.cornelius.com

Telephone Number
800-238-3600 All Departments

The CCM Series Service Manual is available seperately, Part Number 631806061

Note: Model Number Suffix Indicates Machine Voltage As Follows:

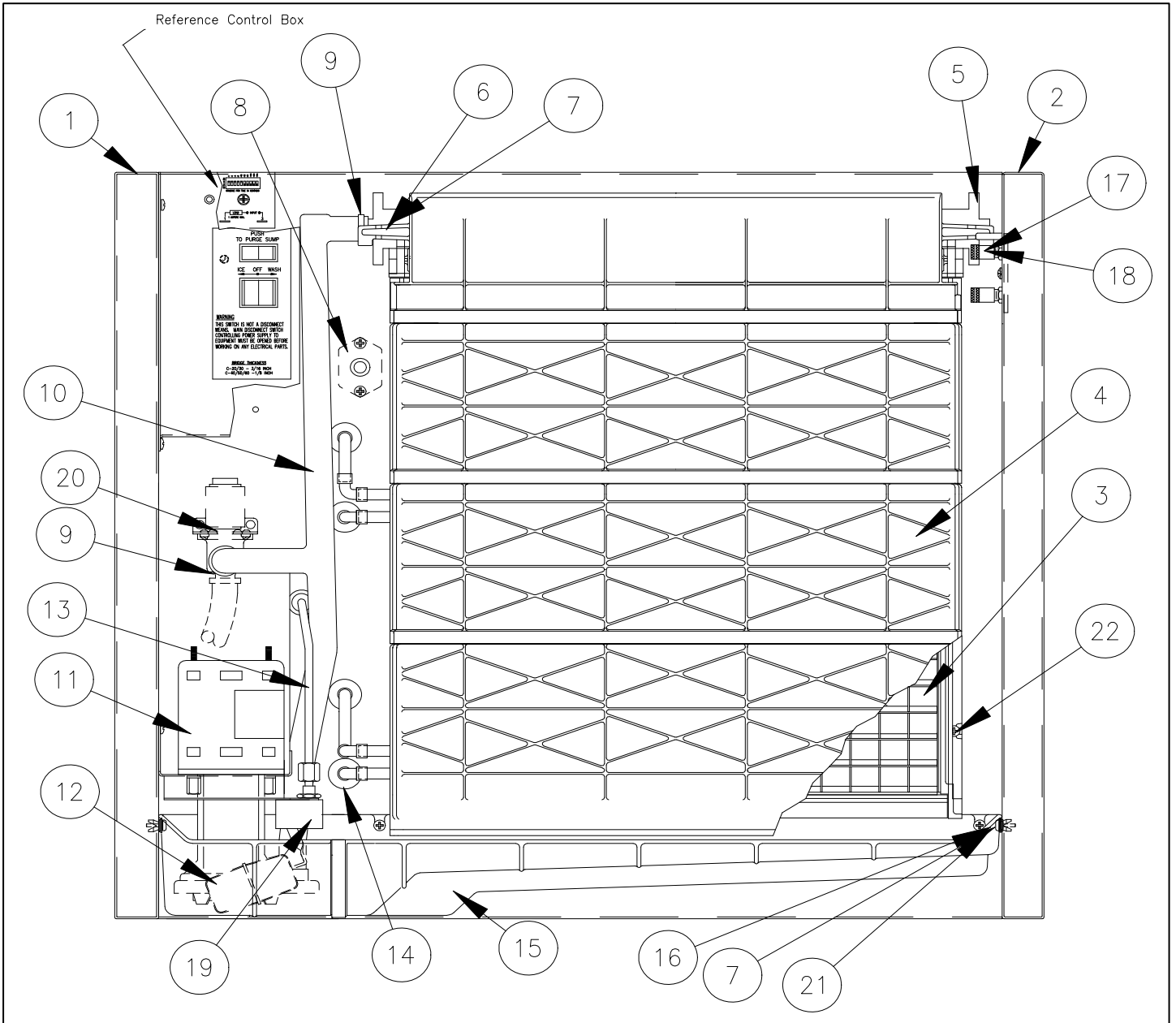
1=115/60/1
2=208-230/60/1
3=208-230/60/3
5=230/50/1



CCM Series Service Parts**Exterior Components**

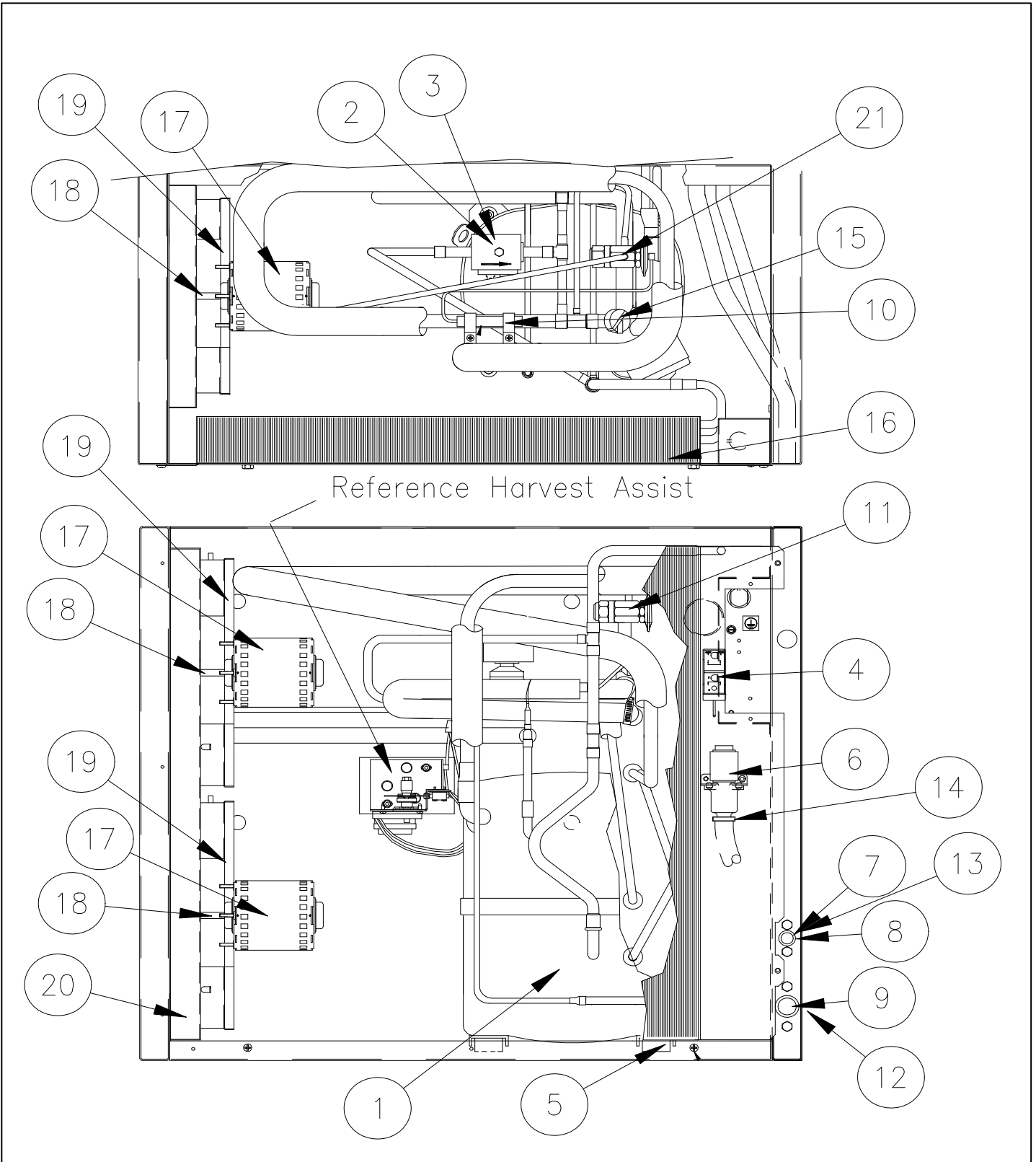
Item No.	Model Number					Description
	CCM0830 5	CCM0830 2	CCM1030 5	CCM1030 2	CCM1030	
1	620204809	620204809	620204809	620204809	620204809	Top Panel-Air Cooled
1	620204810	620204810	620204810	620204810	620204810	Top Panel-Water and Remote
2	620204444	620204444	620204444	620204444	620204444	Top Panel Screw
3	620204811	620204811	620204811	620204811	620204811	Front Panel
4	620204444	620204444	620204444	620204444	620204444	Front Panel Screw
5	620204384	620204384	620204384	620204384	620204384	Left Hand Side Panel
6	620204442	620204442	620204442	620204442	620204442	Side Panel Screws
7	620204457	620204457	620204457	620204457	620204457	Plastic Nut Insert
8	620204387	620204387	620204387	620204387	620204387	Right Hand Side Panel- Louvered
9	620204336	620204336	620204336	620204336	620204336	Junction Box Cover
10	620204441	620204441	620204441	620204441	620204441	Junction Box Cover Screw
11	620204385	620204385	620204385	620204385	620204385	Right Hand Side Panel- Solid
12	620204382	620204382	620204382	620204382	620204382	Rear Panel
13	620204441	620204441	620204441	620204441	620204441	Rear Panel Screw
14	620204349	620204349	620204349	620204349	620204349	Control Box Top Cover
15	620204347	620204347	620204347	620204347	620204347	Control Box Side Cover
16	620204441	620204441	620204441	620204441	620204441	Control Box Screws
17	N/A	N/A	N/A	N/A	N/A	Water Trough Support

Distributed By:
Commercial Refrigeration Service, Inc.
WWW.866IceMakers.COM
866-IceMakers
623-869-8881



Item No.	Model Number					Description
	CCM0830 5	CCM0830 2	CCM1030 5	CCM1030 2	CCM1030 3	
1	620204284	620204284	620204284	620204284	620204284	Left Hand Frame Panel
2	620204285	620204285	620204285	620204285	620204285	Right Hand Frame Panel
3	620204298	620204298	620204298	620204298	620204298	Evaporator-Full Cube
3	620204299	620204299	620204299	620204299	620204299	Evaporator-Half Cube
4	620204493	620204493	620204493	620204493	620204493	Evaporator Splash Curtain
5	620204294	620204294	620204294	620204294	620204294	Water Distribution Tube
6	620204453	620204453	620204453	620204453	620204453	Thumb Screw
7	620204429	620204429	620204429	620204429	620204429	Rubber Washer
8	620204462	620204462	620204462	620204462	620204462	High Pressure Control
9	620204420	620204420	620204420	620204420	620204420	Clamp
10	620204508	620204508	620204508	620204508	620204508	Water Pump Tube
11	620204638	620204638	620204638	620204638	620204638	Water Pump
12	620204564	620204564	620204564	620204564	620204564	Float
13	620204418	620204418	620204418	620204418	620204418	Water Float Tube (26")
14	620204482	620204482	620204482	620204482	620204482	Snap Bushing
15	620204521	620204521	620204521	620204521	620204521	Water Return Trough
16	620204443	620204443	620204443	620204443	620204443	Water Return Trough Screw
17	620204534	620204534	620204534	620204534	620204534	Valve Core
18	620204535	620204535	620204535	620204535	620204535	Valve Cap
19	620204563	620204563	620204563	620204563	620204563	Caplug
20	620204466	620204466	620204466	620204466	620204466	Purge Valve
21	620204457	620204457	620204457	620204457	620204457	Plastic Nut Insert
22	620204441	620204441	620204441	620204441	620204441	Evaporator Mounting Screw

Distributed By:
Commercial Refrigeration Service, Inc.
WWW.866IceMakers.COM
866-IceMakers
623-869-8881

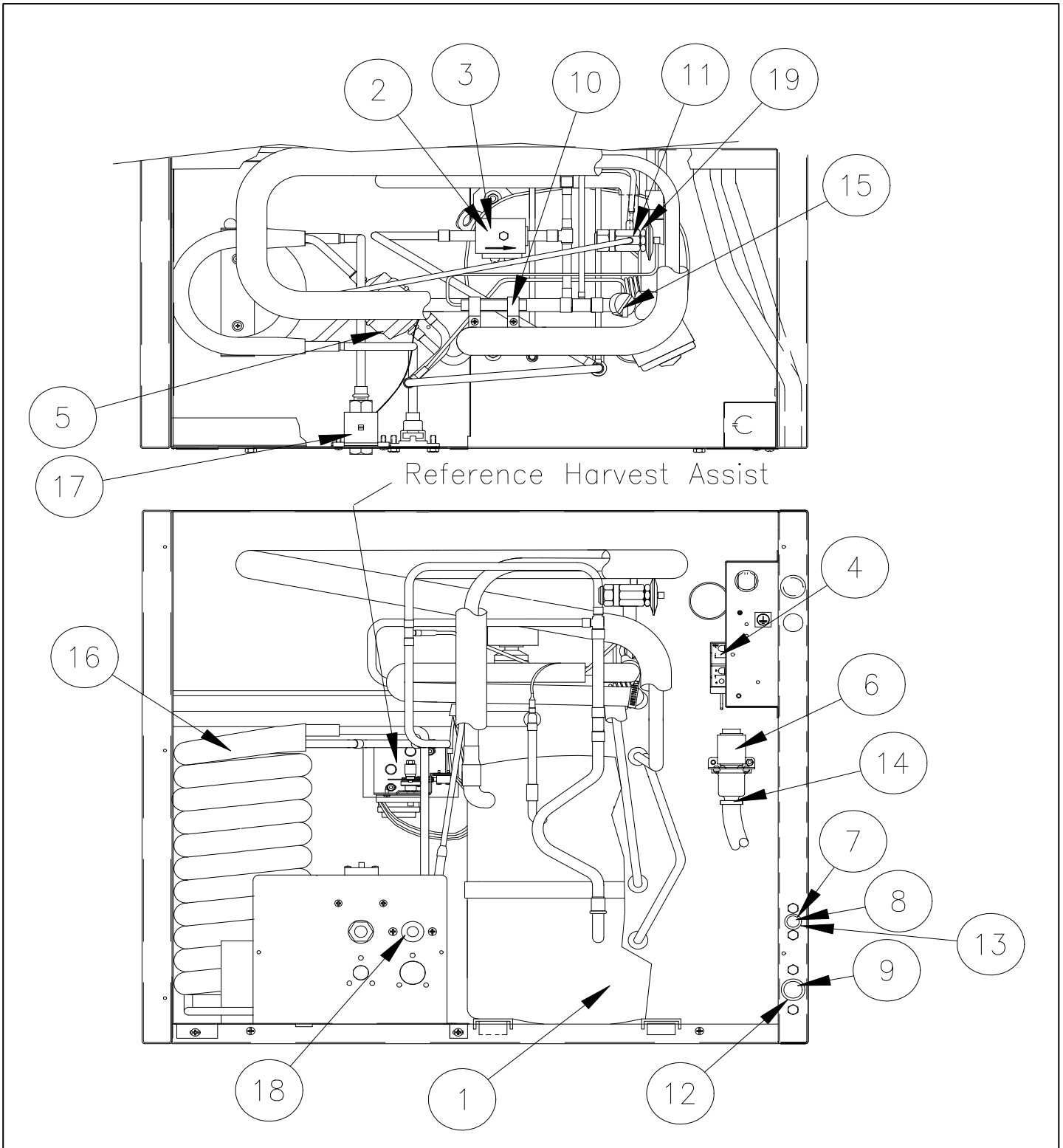


CCM Series Service Parts

Air Cooled

Item No.	Model Number					Description
	CCM0830 5	CCM0830 2	CCM1030 5	CCM1030 2	CCM1030 3	
1	620204688	620204686	620204799	620204687	620204689	Compressor
2	620204614	620204614	620204614	620204614	620204614	Hot Gas Valve Coil
3	620204611	620204611	620204611	620204611	620204611	Hot Gas Valve Body
4	620204476	620204476	620204476	620204476	620204476	Low Pressure Control
5	620204603	620204603	620204603	620204603	620204603	Filter Drier
6	620204466	620204466	620204466	620204466	620204466	Purge Valve
7	620204530	620204530	620204530	620204530	620204530	Drop Adapter
8	620204533	620204533	620204533	620204533	620204533	Water Inlet Fitting
9	620204813	620204813	620204813	620204813	620204813	Purge Drain Fitting
10	620204422	620204422	620204422	620204422	620204422	Clamp-TXV Bulb
11	620204619	620204619	620204619	620204619	620204619	Expansion Valve
12	620204417	620204417	620204417	620204417	620204417	Purge Drain Hose (1.5 Ft.)
13	620204418	620204418	620204418	620204418	620204418	Tube (2.17 Ft.)
14	620204420	620204420	620204420	620204420	620204420	Clamp
15	620204468	620204468	620204468	620204468	620204468	High Temp Safety
16	620204596	620204596	620204596	620204596	620204596	Air Condenser
17	620204636	620204641	620204636	620204641	620204641	Fan Motor
18	620204577	620204574	620204577	620204812	620204812	Fan Blade
19	620204286	620204335	620204286	620204335	620204335	Fan Motor Bracket
20	620204339	620204339	620204814	620204814	620204814	Fan Shroud
21	620204296	620204296	620204296	620204296	620204296	Expansion Valve Assembly (Includes Distributor and Tubing)

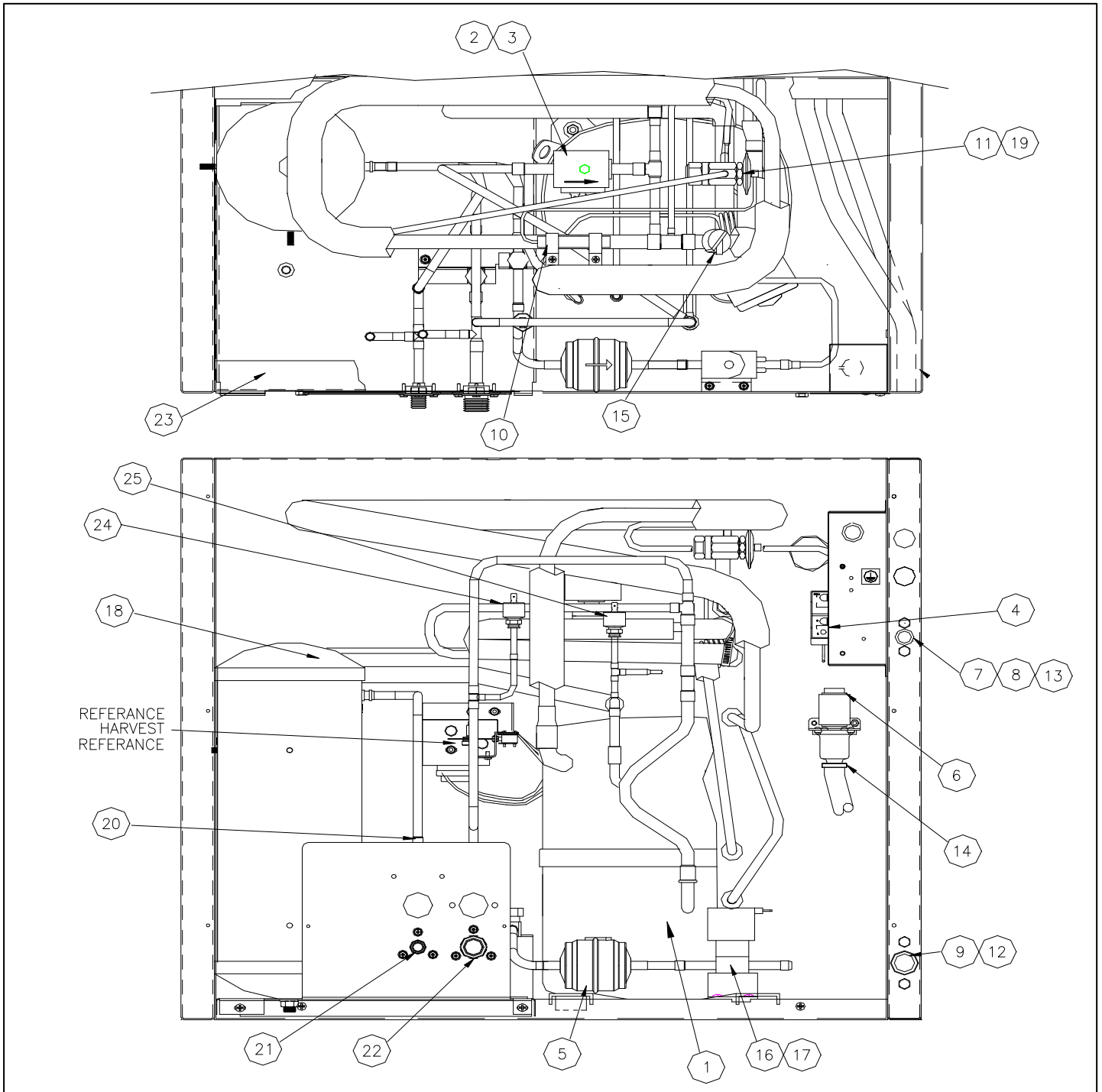
Distributed By:
Commercial Refrigeration Service, Inc.
WWW.866IceMakers.COM
866-IceMakers
623-869-8881



CCM Series Service Parts**Water Cooled**

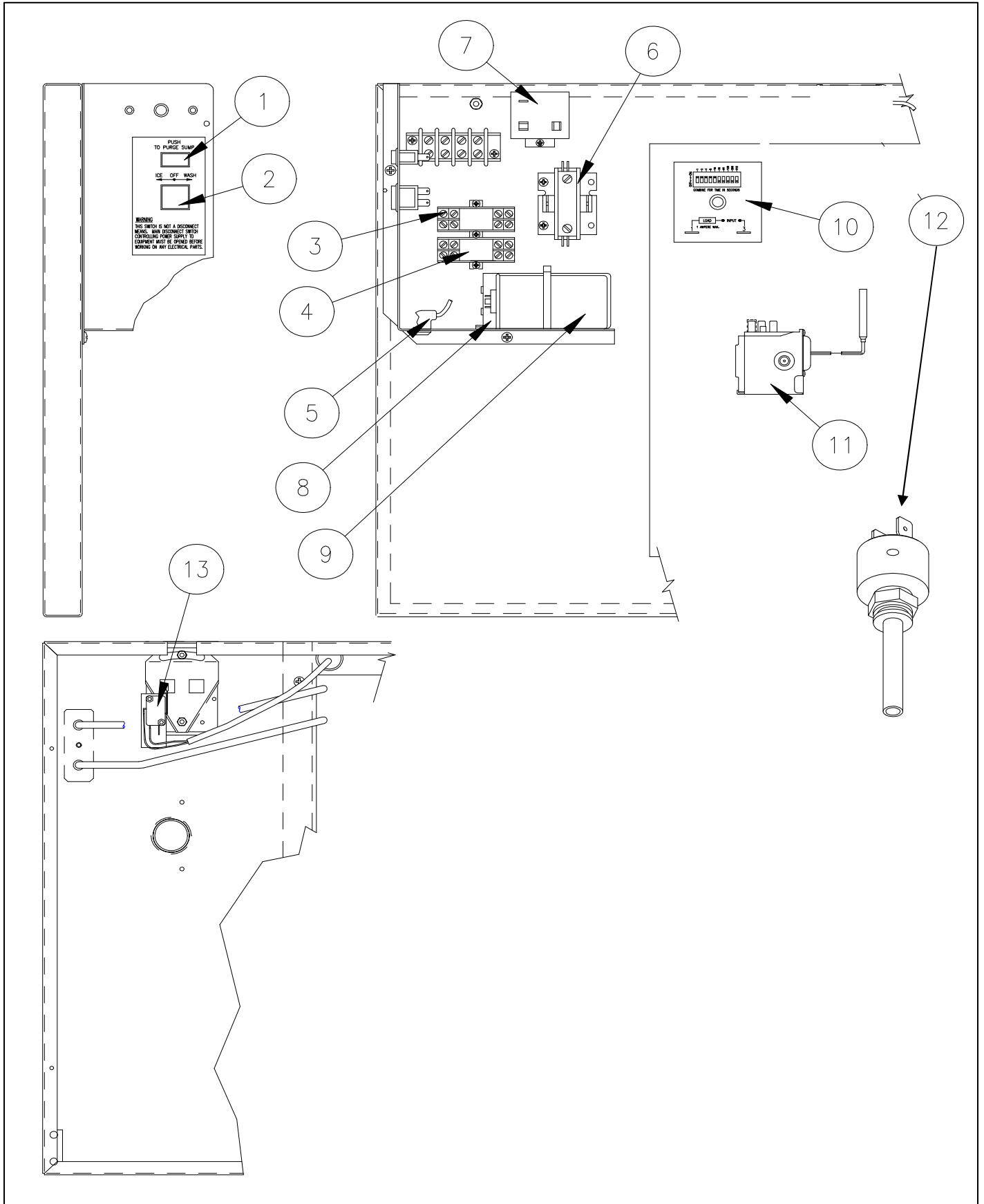
Item No.	Model Number					Description
	CCM0830 5	CCM0830 2	CCM1030 5	CCM1030 2	CCM1030 3	
1	620204688	620204686	620204799	620204687	620204689	Compressor
2	620204614	620204614	620204614	620204614	620204614	Hot Gas Valve Coil
3	620204611	620204611	620204611	620204611	620204611	Hot Gas Valve Body
4	620204476	620204476	620204476	620204476	620204476	Low Pressure Control
5	620204603	620204603	620204603	620204603	620204603	Filter Drier
6	620204466	620204466	620204466	620204466	620204466	Purge Valve
7	620204530	620204530	620204530	620204530	620204530	Drop Adapter
8	620204533	620204533	620204533	620204533	620204533	Water Inlet Fitting
9	620204813	620204813	620204813	620204813	620204813	Purge Drain Fitting
10	620204422	620204422	620204422	620204422	620204422	Clamp-TXV Bulb
11	620204619	620204619	620204619	620204619	620204619	Expansion Valve
12	620204417	620204417	620204417	620204417	620204417	Purge Drain Hose
13	620204418	620204418	620204418	620204418	620204418	Tube (2.17 Ft.)
14	620204420	620204420	620204420	620204420	620204420	Clamp
15	620204472	620204472	620204472	620204472	620204472	High Temp Safety
16	620204587	620204587	620204587	620204587	620204587	Water Condenser
17	620204465	620204465	620204465	620204465	620204465	Water Valve
18	620204529	620204529	620204529	620204529	620204529	Drop Adapter 1/2"
19	620204296	620204296	620204296	620204296	620204296	Expansion Valve Assembly (Includes Distributor and Tubing)

Distributed By:
Commercial Refrigeration Service, Inc.
WWW.866IceMakers.COM
866-IceMakers
623-869-8881



Item No.	Model Number					Description
	CCM0830 5	CCM0830 2	CCM1030 5	CCM1030 2	CCM1030 3	
1	620204688	620204687	620204779	620204815	620204689	Compressor
2	620204614	620204614	620204614	620204614	620204614	Hot Gas Valve Coil
3	620204611	620204611	620204611	620204611	620204611	Hot Gas Valve Body
4	620204476	620204476	620204476	620204476	620204476	Low Pressure Control
5	620204603	620204603	620204603	620204603	620204603	Filter Drier
6	620204466	620204466	620204466	620204466	620204466	Purge Valve
7	620204530	620204530	620204530	620204530	620204530	Drop Adapter
8	620204533	620204533	620204533	620204533	620204533	Water Inlet Fitting
9	620204813	620204813	620204813	620204813	620204813	Purge Drain Fitting
10	620204422	620204422	620204422	620204422	620204422	Clamp-TXV Bulb
11	620204619	620204619	620204619	620204619	620204619	Expansion Valve
12	620204417	620204417	620204417	620204417	620204417	Purge Drain Hose
13	620204418	620204418	620204418	620204418	620204418	Tube (2.17 Ft.)
14	620204420	620204420	620204420	620204420	620204420	Clamp
15	620204472	620204472	620204472	620204472	620204472	High Temp Safety
16	620204612	620204612	620204612	620204612	620204612	Liquid Line Solenoid Body
17	620204614	620204614	620204614	620204614	620204614	Liquid Line Solenoid Coil
18	620204606	620204606	620204606	620204606	620204606	Receiver
19	620204296	620204296	620204296	620204296	620204296	Expansion Valve Assembly
20	620204605	620204605	620204605	620204605	620204605	Mixing Valve (240)
21	620204526	620204526	620204526	620204526	620204526	Remote Fitting 3/8"
22	620204527	620204527	620204527	620204527	620204527	Remote Fitting 1/2"
23	620204337	620204337	620204337	620204337	620204337	Rear Brace
24	620204462	620204462	620204462	620204462	620204462	High Pressure Control
25	620204475	620204475	620204475	620204475	620204475	Pump Down Control

Distributed By:
Commercial Refrigeration Service, Inc.
WWW.866IceMakers.COM
866-IceMakers
623-869-8881



Item No.	Model Number					Description
	CCM0830 5	CCM0830 2	CCM1030 5	CCM1030 2	CCM1030 3	
1	620204553	620204553	620204553	620204553	620204553	Purge Switch
2	620204557	620204557	620204557	620204557	620204557	ON-OFF-WASH Switch
3	620204548	620204548	620204548	620204548	620204548	Relay Socket
4	620204551	620204551	620204551	620204551	620204551	Relay
5	620204559	620204559	620204559	620204559	620204559	Water Pump Cord
6	620204544	620204544	620204544	620204544	620204782	Contactors
7	See Below	See Below	See Below	See Below	See Below	Compressor Start Relay
8	See Below	See Below	See Below	See Below	See Below	Start Capacitor
9	See Below	See Below	See Below	See Below	See Below	Run Capacitor
10	620204555	620204555	620204555	620204555	620204555	Timer
11	620204476	620204476	620204476	620204476	620204476	Low Pressure Timer Initiate
12	620204475	620204475	620204475	620204475	620204475	Pump Down Control
13	620204552	620204552	620204552	620204552	620204552	Bin Switch

Compressor Components

Model Number		
CCM0830 2 A & W	620204686	Compressor
	620204649	Start Capacitor
	620204672	Run Capacitor
	620204678	Relay

CCM0830 2 R	CCM1030 2 A & W	620204687	Compressor
		620204649	Start Capacitor
		620204672	Run Capacitor
		620204678	Relay

CCM0830 5 A W & R	620204688	Compressor
	620204654	Start Capacitor
	620204672	Run Capacitor
	620204675	Relay

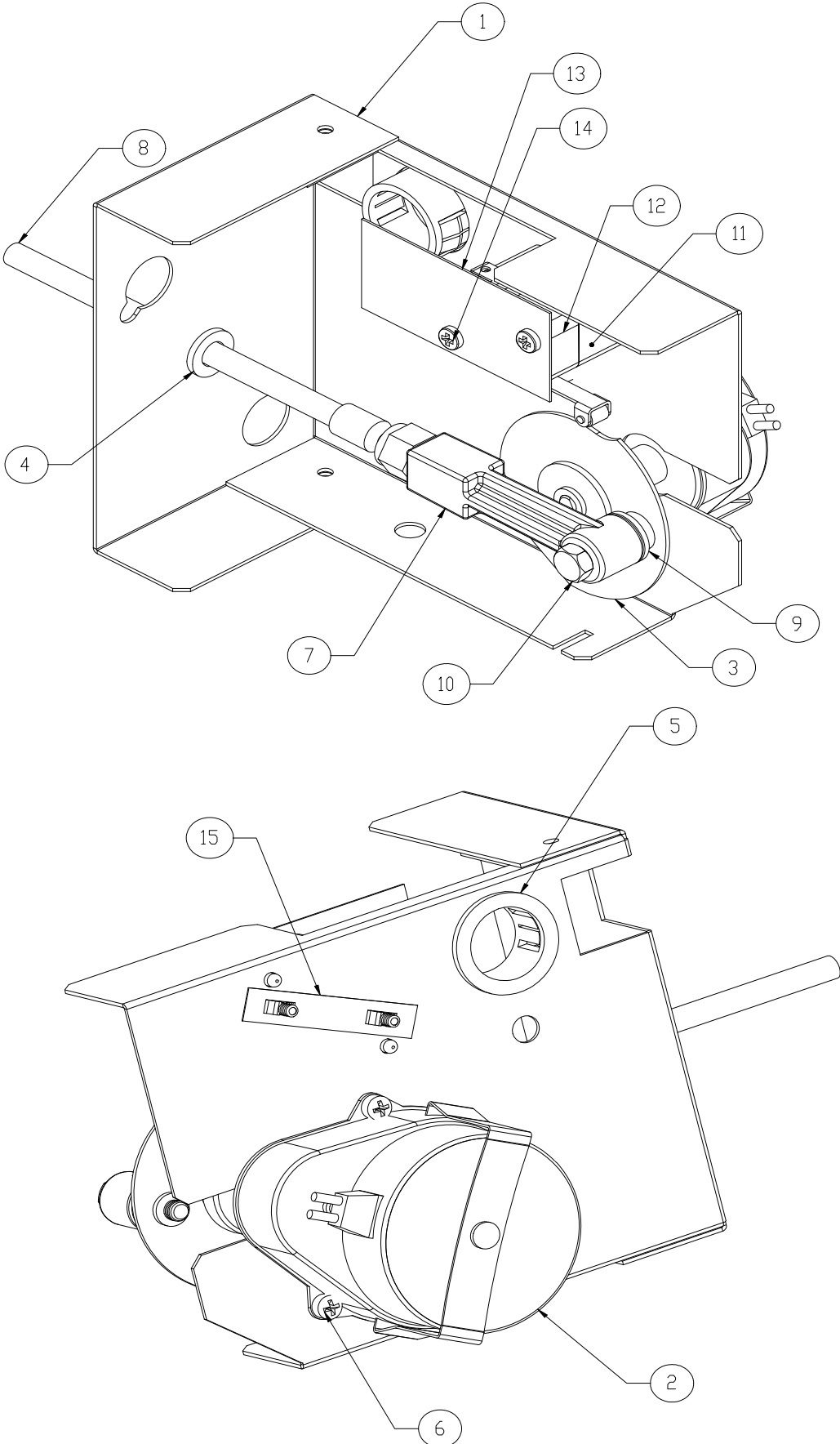
CCM1030 3 A W & R	620204689	Compressor
	N/A	Start Capacitor
	N/A	Run Capacitor
	N/A	Relay

CCM1030 2 R	620204815	Compressor
	620204651	Start Capacitor
	620204670	Run Capacitor
	620204676	Relay

CCM1030 5 A W & R	620204779	Compressor
	620204649	Start Capacitor
	620204670	Run Capacitor
	620204678	Relay

2=208-230/60/1
3=208-230/60/3
5=230/50/1

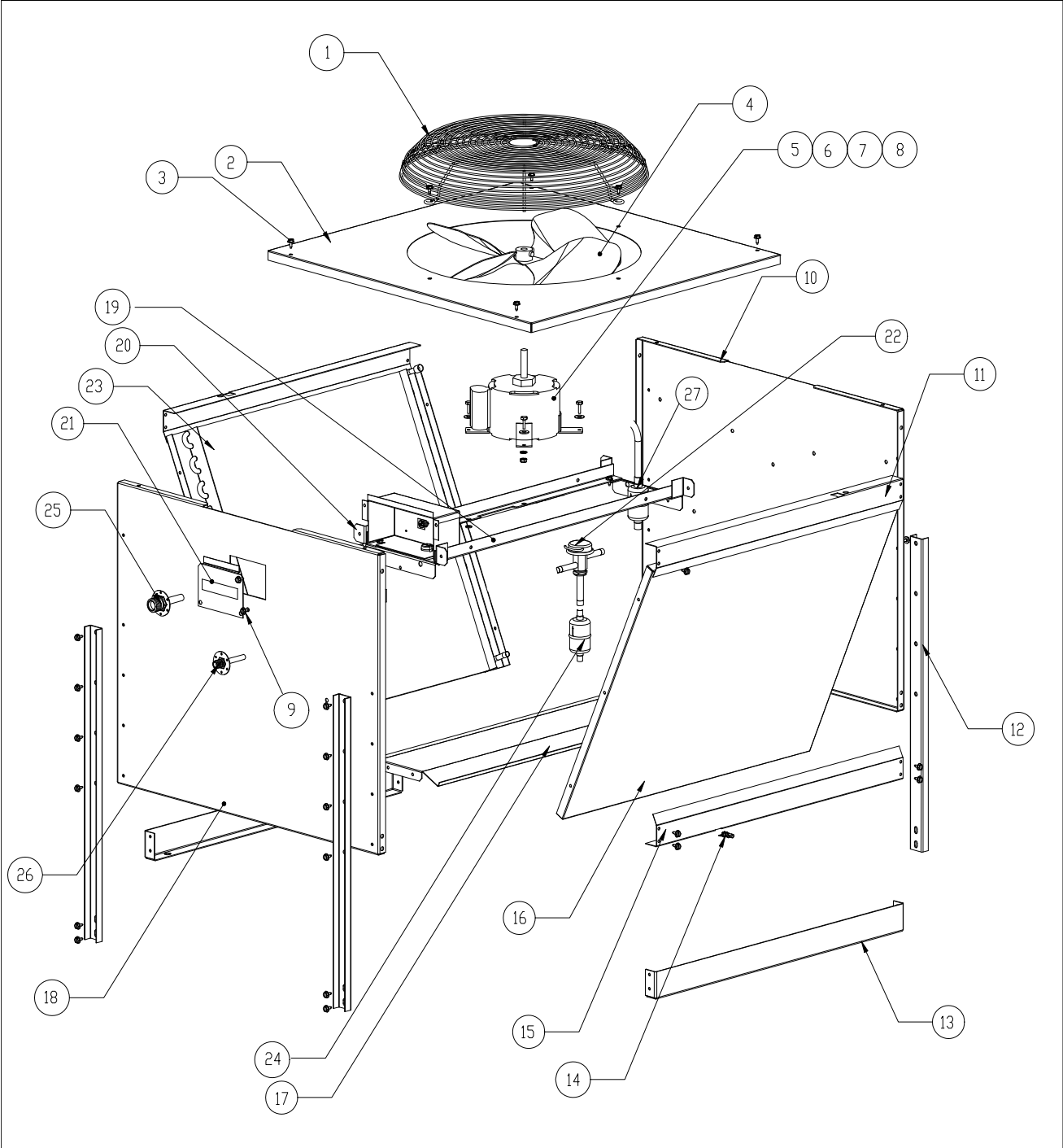
A = Air Cooled
W= Water Cooled
R= Remote



CCM Series Service Parts**Harvest Assist Assembly**

Item No.	Model Number					Description
	CCM0830 5	CCM0830 2	CCM1030 5	CCM1030 2	CCM1030 3	
1	620204366	620204366	620204366	620204366	620204366	Bracket, Probe Motor
2	620204631	620204631	620204631	620204631	620204631	Gear Motor
3	620204569	620204569	620204569	620204569	620204569	Clutch Assembly 180 Degree
4	620204483	620204483	620204483	620204483	620204483	Snap Bushing
5	620204481	620204481	620204481	620204481	620204481	Snap Bushing
6	620204439	620204439	620204439	620204439	620204439	#6-32 x 1/2 Fillister Head Screw
7	620204484	620204484	620204484	620204484	620204484	Connecting Rod
8	620204424	620204424	620204424	620204424	620204424	Probe, Single Length
9	620204427	620204427	620204427	620204427	620204427	Plain Flat Washer
10	620204451	620204451	620204451	620204451	620204451	Shoulder Screw
11	620204516	620204516	620204516	620204516	620204516	Spacer, Cam Switch
12	620204556	620204556	620204556	620204556	620204556	Cam Switch
13	620204407	620204407	620204407	620204407	620204407	Insulator, Switch
14	620204434	620204434	620204434	620204434	620204434	Pan Head Machine Screw
15	620204452	620204452	620204452	620204452	620204452	Speed Nut Plate
	620204312	620204312	620204312	620204312	620204312	Complete Assembly

Distributed By:
Commercial Refrigeration Service, Inc.
WWW.866IceMakers.COM
866-IceMakers
623-869-8881



Item No.	Model Number	Description
1	620204581	Fan Guard
2	620204369	Top Panel
3	620204436	1/4-20 x 1/2 Screw
4	620204580	Fan Blade
5	620204646	Fan Motor
6	620204425	1/4-20 x 3/4 Cap Screw
7	620204426	Flat Washer
8	620204448	Flanged Lock Nut 1/4-20
9	620204436	1/4-20 x 1/2 Screw
10	620204371	Rear Panel
11	620204373	Brace
12	620204374	Leg
13	620204375	Leg Brace
14	N/A	T-Nut-Shipping Only
15	620204373	Brace
16	N/A	Cover Panel
17	620204372	Center Panel
18	620204370	Front Panel
19	620204379	Motor Brace
20	620204378	Motor Brace Support
21	620204376	Junction Box Cover
22	620204625	Head Pressure Control Valve
23	620204600	Condenser
24	620204626	Filter
25	620204527	1/2 Coupling
26	620204526	3/8 Coupling
27	620204627	Filter

Distributed By:
Commercial Refrigeration Service, Inc.
WWW.866IceMakers.COM
866-IceMakers
623-869-8881